

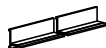


# ALFA | Board

VS219-141



x2



x1

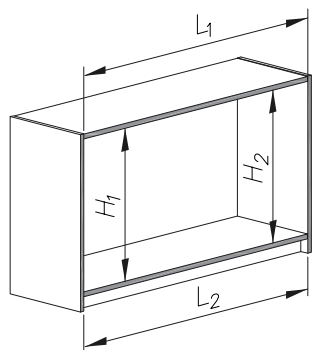


Ø4x16

x6

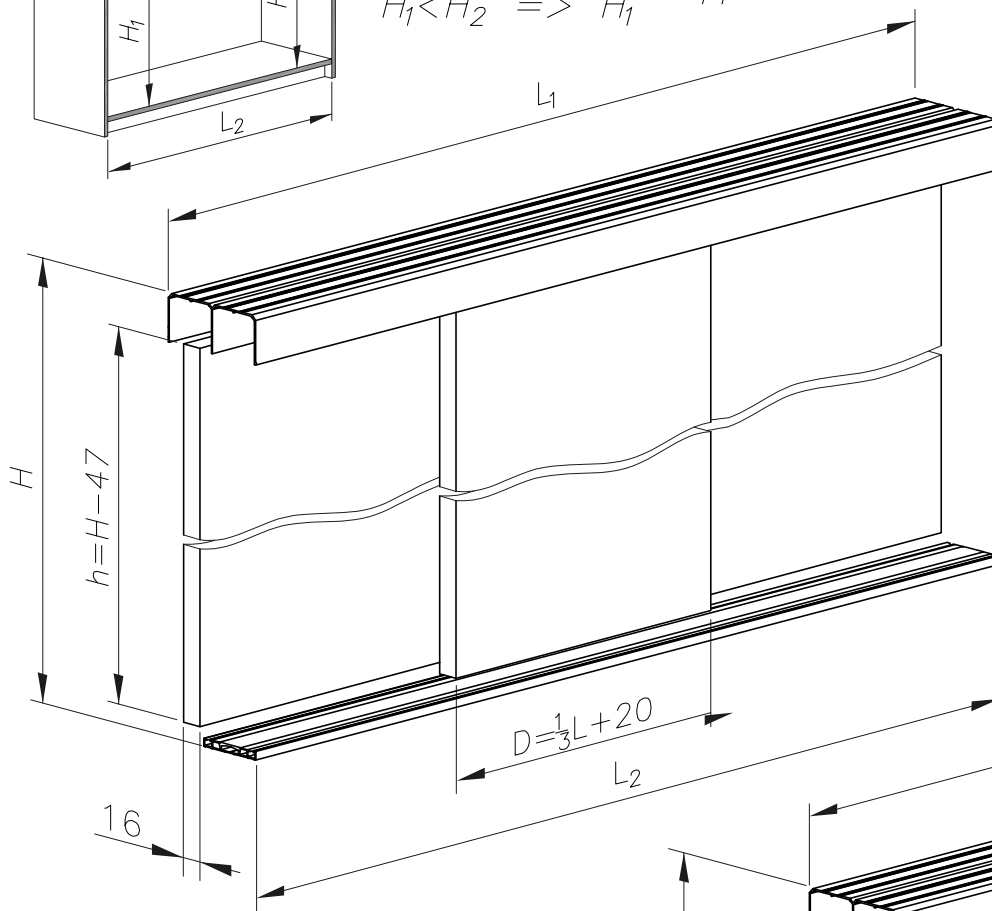


1



$$\begin{aligned} H_1 > H_2 &\Rightarrow H_2 \rightarrow H \\ H_1 < H_2 &\Rightarrow H_1 \rightarrow H \end{aligned}$$

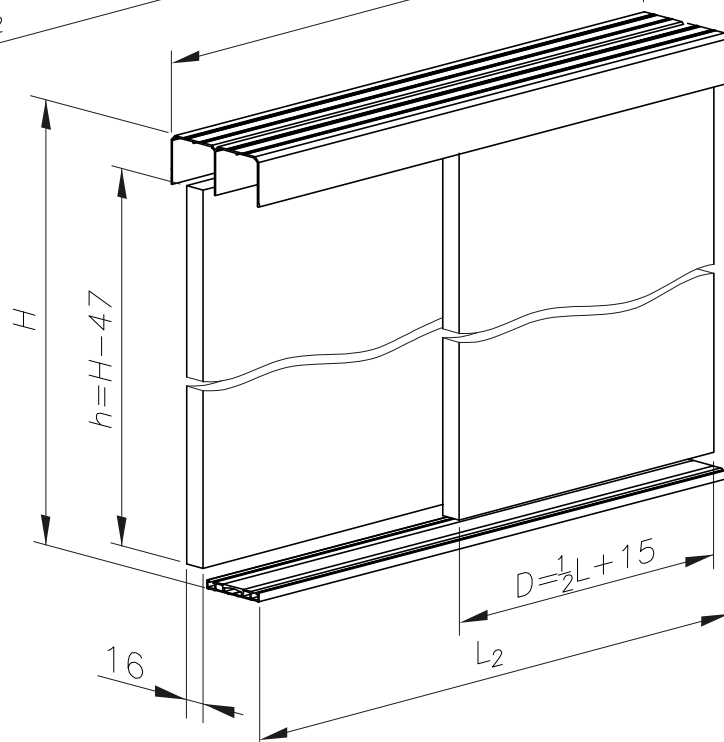
1a



1b



$$\begin{aligned} L_1 > L_2 &\Rightarrow L_2 \rightarrow L \\ L_1 < L_2 &\Rightarrow L_1 \rightarrow L \end{aligned}$$



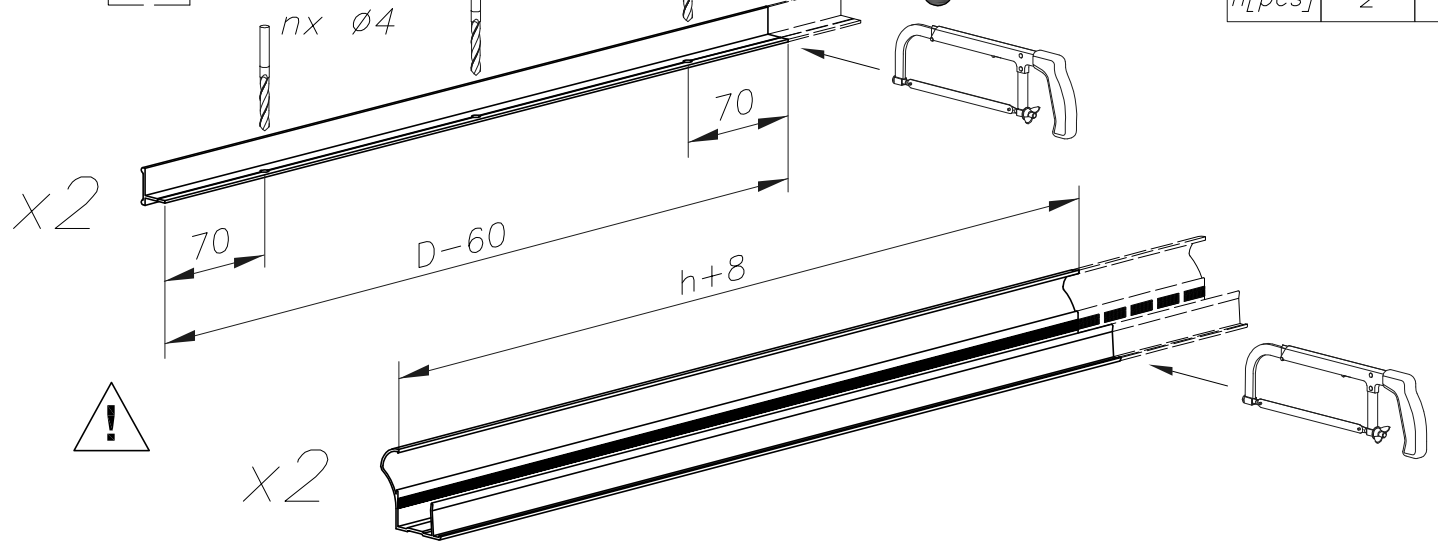
2



2

1

D[mm]	<500	≥500
n[pcs]	2	3



3

2

nx Ø4x16

3

1

