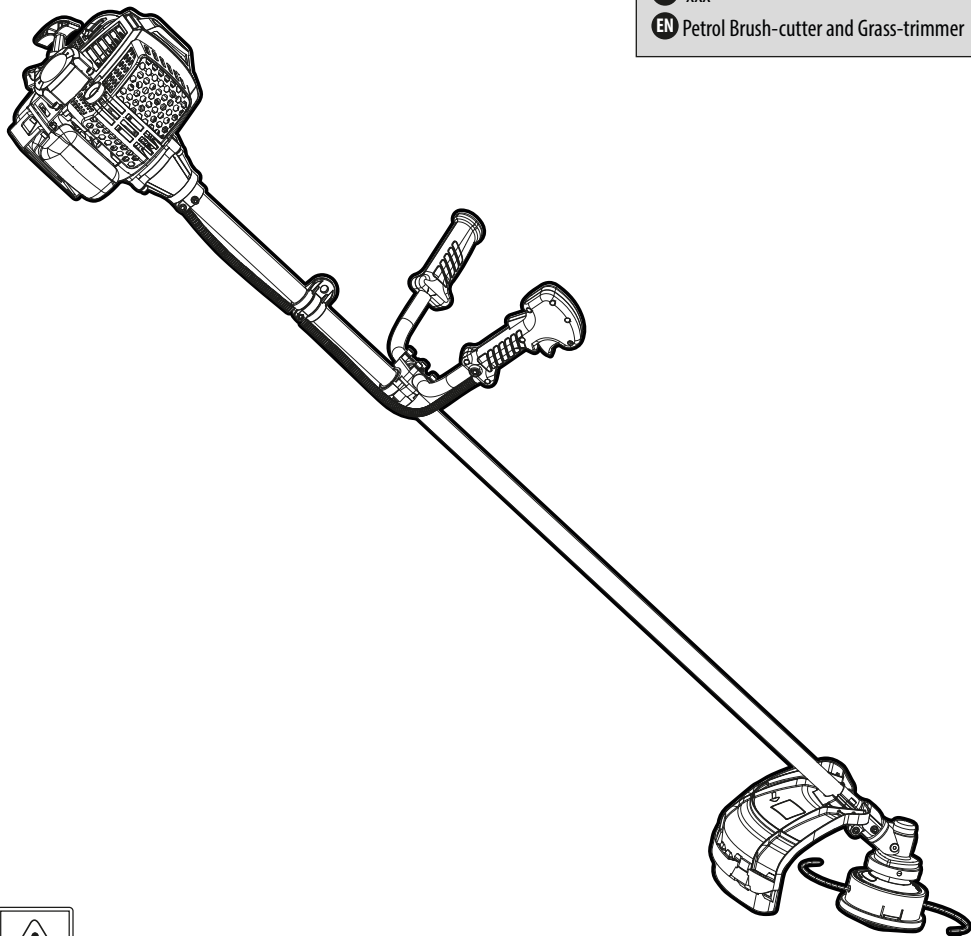


RU xxx

KZ xxx

EN Petrol Brush-cutter and Grass-trimmer



EAN : xxx



Руководство По Технике Безопасности и Правовым нормам / Техникасы бойынша нұсқаулығы қауіпсіздік және құқықтық қамтамасыз ету / Legal & Safety Instructions



XXX → XXX



Сборка / Монтаждау / Assembly



XXX



Подготовка / Дайындау / Preparation



XXX



Использование / Пайдалану / Use



XXX → XXX



Уход / Қызмет көрсету / Maintenance



XXX → XXX



Зимний период / Қысқы мерзімде сақтау / Winter storage



XXX



Introduction

Thank you for choosing this product. Upon designing and manufacturing our products, we place all of our efforts into ensuring an excellent quality that meets the needs of the users. Following these instructions allow to optimize the lifetime

IMPORTANT! IN ORDER TO OBTAIN THE UTMOST SATISFACTION FROM THIS PRODUCT UPON SETTING IT UP, USING IT, AND MAINTAINING IT, WE RECOMMEND THAT YOU CAREFULLY READ THIS USER MANUAL BEFORE USING THE PRODUCT. PLEASE PAY ATTENTION TO BASIC WARNINGS RELATING TO SAFETY WITHIN THIS MANUAL, AND KEEP THE MANUAL FOR LATER REFERENCE.



**IMPORTANT, KEEP THE MANUAL FOR LATER REFERENCE :
READ CAREFULLY**

Contents

- | | |
|---|----------------|
| 1. Intended use of Petrol Brush-Cutter and Grass-trimmer 52cc | 6. Wintering |
| 2. Safety Instructions | 7. Storage |
| 3. Technical data | 8. Maintenance |
| 4. Assembly | 9. End of life |
| 5. Transportation | 10. Warranty |

1. INTENDED USE OF PETROL BRUSH-CUTTER AND GRASS-TRIMMER 52CC

This product is intended for outdoor use only, and must not be used inside a building under any circumstances. The Petrol brush cutter and grass-trimmer is only intended for use in dry and well-illuminated conditions. This brush-cutter and grass-trimmer is only intended to be used for cutting grass and light weeds, edging and decorative trimming around trees, fences, etc. Do not use it for others purposes. The maximum cutting capacity must be observed. Do not cut branches exceeding the stated maximum capacity. Do not use it for others purposes. The product is not intended to be used by children or persons with reduced physical, mental or sensory capabilities.

After unwrapping the packing, make sure that the product is complete with its accessories (if any). If the product is damaged or has any defect, please do not use it and bring back it to your dealer.

If you give this tool to another people, please give him also this instruction manual.

Please note that our equipment has not been designed for use in commercial, trade or industrial applications. Our warranty will be voided if the machine is used in commercial, trade or industrial businesses or for equivalent purposes. This product has been designed to be used over a period of 3 years (Expected lifetime).

2. SAFETY INSTRUCTIONS

























WARNING : Read all safety warnings and all instructions. Failure to follow the warnings and instructions may result in electric shock, fire and/or serious injury. Save all warnings and instructions for future reference.

2.1 GENERAL SAFETY WARNINGS







- Do not operate the product near glass enclosures, automobiles, trucks, window wells, drop-offs, etc. without properly adjusting the aim of the discharge.
- Do not force or overload the product. It will perform better and safer when it is used at the rate that it was designed to work at.
- If the product is already assembled, please make sure that all screws are tightly fixed before using it. If the product requires that you assemble it, please make sure upon opening the package that all the elements needed for setting up the product have been provided. If the product is damaged or has defects, do not use it and take it back to the nearest store.
- The term «power tool» in the warnings refers to your mains-operated (corded) power tool, battery-operated (cordless) power tool or petrol powered tool.
- If the vegetation being cut or the surrounding ground is coated with a chemical substance (such as an active pesticide or herbicide), read and follow the instructions and warnings that accompanied the substance at issue.

2.2 SYMBOLS ON THE PRODUCT

| | | | |
|--|---|---|--|
|  | <p>Single mark of circulation of products on the market of the Member States of the Customs Union.</p> | | |
|  | <p>Electrical products should not be discarded with household products. Used electrical products must be collected separately and disposed of at collection points provided for this purpose. Talk with your local authorities or dealer for advice on recycling.</p> | | |
|  | <p>Read and understand all instructions before operating the product, follow all warning and safety instructions.</p> |  | <p>Guaranteed sound power level (tested according to Directive 2000/14/EC as amended by 2005/88/EC).</p> |
|  | <p>Do not expose the product to rain or wet conditions.</p> |  | <p>Wear ear protection.</p> |
|  | <p>Wear safety glasses.</p> |  | <p>Wear protective gloves.</p> |
|  | <p>Wear safety boots.</p> |  | <p>Wear respiratory protection.</p> |

| | | | |
|--|--|---|---|
|  | Keep bystanders away. |  | The distance between the machine and bystanders shall be at least 15 m. |
|  | Beware of blade thrust. |  | Beware of thrown objects. |
|  | Don't install or use any type of blade on the unit displaying this symbol. |  | Maximum rotation speed of the spindle |
|   | Do not touch hot surfaces. |  | Quality control during the production passed |
|  | Do not pull the starter rope further than indicated |  | Ratio Gasoline/Oil |
|  | Do not smoke near the product | | |

2.3 SYMBOLS IN THIS MANUAL

| | | | |
|---|--|---|---|
|  | Type and source of the danger : Failure to observe this warning may result in physical injury or death. |  | Type and source of the danger: This symbol indicates that damage to the appliance, the environment or other property may occur as a result of non-observance of this warning. |
|  | Note : This symbol indicates important information for better understanding of the product. |  | Read the manual: This symbol indicates that you need to read the user manual carefully. |
|  | Please refer to the corresponding illustration at the end of the booklet. |  | Recycling code of paper. |

2.4 WORK AREA SAFETY

- Keep work area clean and well lit. Cluttered or dark areas invite accidents.

- Do not operate power tools in explosive atmospheres, such as in the presence of flammable liquids, gases or dust. Power tools create sparks which may ignite the dust or fumes.
- Keep children and bystanders away while operating a power tool. Distractions can cause you to lose control.
- Eliminate all sources of sparks or flame (e.g. smoking, open flames, or work that can cause sparks) in the areas where fuel is mixed, poured, or stored.

2.5 ELECTRICAL SAFETY



WARNING ! This product produces an electromagnetic field during operation! This field may under some circumstances interfere with active or passive medical implants! To reduce the risk of serious or fatal injury, we recommend persons with medical implants to consult their doctor and the medical implant manufacturer before operating this product !

- Do not expose power tools to rain or wet conditions. Water entering a power tool will increase the risk of electric shock.

2.6 PERSONAL SAFETY

- Stay alert, watch what you are doing and use common sense when operating a power tool. Do not use a power tool while you are tired or under the influence of drugs, alcohol or medication. A moment of inattention while operating power tools may result in serious personal injury.
- Use personal protective equipment. Always wear eye protection. Protective equipment such as dust mask, non-skid safety shoes, hard hat, or hearing protection used for appropriate conditions will reduce personal injury.
- Remove any adjusting key or wrench before turning the power tool on. A wrench or a key left attached to a rotating part of the power tool may result in personal injury.
- Do not force the power tool. Use the correct power tool for your application. The correct power tool will do the job better and safer at the rate for which it was designed.
- Use the power tool, accessories and tool bits etc. in accordance with these instructions, taking into account the working conditions and the work to be performed. Use of the power tool for operations different from those intended could result in a hazardous situation.
- Dress properly. Do not wear loose clothing or jewelry. Keep your hair, clothing and gloves away from moving parts. Loose clothes, jewelry or long hair can be caught in moving parts.

- It is believed that a condition called Raynaud's phenomenon (white fingers), which affects the fingers of certain individuals may be brought about by exposure to vibration and cold. Loss of color and numbness in the fingers. The following precautions are strongly recommended:

1. Wear the anti-vibration(AV) glove and keep your body warm, especially the head, neck, feet, ankles, hands and wrists.

2. Maintain a firm grip at all times, but do not squeeze the handles with constant, excessive pressure.

3. Maintain good blood circulation by performing vigorous arm exercises during frequent work breaks and also by not smoking.

4. Keep the saw chain sharp and the saw, including the AV system, well maintained; A dull chain will increase cutting time, and pressing a dull chain through wood will increase the vibrations transmitted to your hands. A saw with loose components or with damaged or worn AV buffers will also tend to have higher vibration levels.

5. Limit the hours of operation.

All the above mentioned precautions do not guarantee that you will not sustain white finger disease or carpal tunnel syndrome. Therefore, continual and regular users should monitor closely the condition of their hands fingers. If any of the above symptoms appear, seek medical advice immediately.

2.7 POWER TOOL USE AND CARE

- Some regions have regulations that restrict the use of the product in some operations. Check with your local authority for advice.

- Do not allow children, persons with reduced physical, sensory or mental capabilities or lack of experience and knowledge, or people unfamiliar with these instructions to use the product. Local regulations may restrict the age of the operator.

- Keep in mind that the operator or user is responsible for accidents or hazards occurring to other people or their property.

- While operating the product, always wear substantial footwear and long trousers. Do not operate the machine when barefoot or when wearing open sandals. Avoid wearing clothing that is loose fitting or that has hanging cords or ties; they can be caught in moving parts.

- Secure long hair so it is above shoulder level to prevent entanglement in moving parts.

- Before each use, ensure that all controls and safety devices function correctly. Do not use the tool if the off switch does not stop the product.

- Before each use, always inspect the housing for damage. Ensure that guards and handles are in place and properly secured.

- Never operate the product with defective guards or shields, or without safety devices, such as debris collector, in place.

- Clear the work area before each use.
- Wear a face filter mask in dusty conditions to reduce the risk of injury associated with the inhalation of dust.
- Do not point the product in the direction of people or pets.
- Do not operate the product near open windows, etc.
- Do not use the power tool if the switch does not turn it on and off. Any power tool that cannot be controlled with switch is dangerous and must be repaired.
- Store idle power tools out of the reach of children and do not allow persons unfamiliar with the power tool or these instructions to operate the power tool. Power tools are dangerous in the hands of untrained users.
- Maintain power tools. Check for misalignment or binding of moving parts, breakage of parts and any other condition that may affect the power tool's operation. If damaged, have the power tool repaired before use. Many accidents are caused by poorly maintained power tools.

2.8 PETROL TOOL SAFETY WARNINGS



**DANGER! Exhaust gases contain dangerous carbon monoxide!
Inhale the poisonous particle may cause death.**

- As soon as the engine is running, this product generates toxic exhaust fumes containing chemicals, such as unburned hydrocarbons (including benzene) and carbon monoxide, that are known to cause respiratory problems, cancer, birth defects, or other reproductive harm. Use of this product can also generate dust, mist and fumes containing chemicals that are known to cause respiratory problems, cancer, birth defects, or other reproductive harm. Inhalation of certain dusts, especially organic dusts such as mold or pollen, can cause susceptible persons to have an allergy or asthmatic reaction.
- Routine noisy work is to be licensed and limited for certain periods. Wear an approved safety hard hat to reduce the risk of injury to your head. Noise may damage your hearing. Wear sound barriers (ear plugs or ear muffs) to help protect your hearing. Be particularly alert and cautious when wearing hearing protection because your ability to hear warnings (shouts, alarms, etc.) is restricted. Operate your machine as below so that it produces a minimum of noise and emissions
 - limit the hours of daily operation.
 - do not run the engine unnecessarily and accelerate the engine only for cutting.
 - do not use the machine with a damaged muffler or loosened parts, regularly check the machine by shaking it, if any abnormal sound comes from the machine, contact the local service centre for checking or/and repair.

2.9 PETROL BRUSH-CUTTER AND GRASS-TRIMMER SAFETY WARNINGS

- The use of this machine may be hazardous. If the rotating line or blade comes in contact with your body, it will cut you. When it comes in contact with solid foreign objects such as rocks or bits of metal, it may fling them directly or by ricochet in the direction of bystanders or the operator.
- Kick-back (blade-thrust) is the sudden and uncontrolled motion towards the operator's right or rear that can occur when the 12 o'clock and 3 o'clock area of a rotating blade comes in contact with a solid rigid object like a tree, rock, bush or wall. The rapid counter clockwise rotation of the blade may be stopped or slowed, and the cutting attachment may be thrown to the right or to the rear. This kick-back (blade-thrust) may cause loss of control of the power tool and may result in serious or fatal injury to the operator or bystanders. To reduce the risk of injury, extreme caution should be used when cutting with the shaded area of any rigid blade.
- Never use a harness with a defective quick release. Use the quick release mechanism if the engine catches fire or in any other emergency situation that requires you to free yourself from the machine or harness.
- Keep blades sharp. Tighten all nuts, bolts and screws, except the carburettor adjustment screws, before each use.
- Wear gloves when handling or performing maintenance on blades.
- The carburettor comes from the factory with a standard setting. The carburettor has been adjusted for optimum performance and fuel efficiency in all operating states. The carburettor shall be only adjusted by authorized person.
- Fouled air filters will impair engine performance, increase fuel consumption, excessively wear the parts and make the machine more difficult to start. Clean the filter every 25 hours, or more regularly if conditions are exceptionally dusty. Remove the air filter cover and take out the filter. Wash it clean in warm, soapy water. Ensure that the filter is dry before refitting it. A damaged air filter must always be replaced.
- When the engine runs short of fuel supply, check the vent valve and the fuel filter for blockage.
- The bevel gear is filled with the right quantity of grease at the factory. However, before using the machine you should check that the bevel gear is filled three quarters full with grease. The grease in the bevel gear does not normally need to be changed except if repairs are carried out.
- The spark plug condition is influenced by:
 - Incorrect carburettor adjustment.
 - An incorrect fuel mixture (too much or incorrect type of oil).
 - A dirty air filter.

2.10 SERVICE

- Have your power tool serviced by a qualified repair person using only identical replacement parts. This will ensure that the safety of the power tool is maintained.
- Have the product checked by a qualified professional and repaired, if necessary, before you operate it again.

2.11 RESIDUAL RISKS

- Familiarize yourself with the use of this product by means of this instruction manual. Memorize the safety directions and follow them to the letter. This will help to prevent risks and hazards. Always be alert when using this product, so that you can recognize and handle risks early. Fast intervention can prevent serious injury and damage to property. Switch off if there are malfunctions.
- Even if all instructions are strictly followed, there are still some factors that could lead to hazards, such as :
 - Thrown out pieces of the work piece.
 - Vibration injuries : use designated handles and try to reduce working time and exposure.
 - Injuries caused by noise : wear ear protection and reduce working time and exposure.
 - Inhalation of dust and particles.
 - Wear eye protection at all times.

If you experience any of these factors while using the machine, stop the machine consult your doctor immediately

- Injuries may be caused or aggravated by prolonged use of a tool. When using any tool for prolonged periods, ensure you take regular breaks.
- Prolonged use of the product exposes the user to vibrations that can cause a range of conditions collectively known as hand-arm vibration syndrome (HAVS) e.g. fingers going white; as well as specific diseases such as carpal tunnel syndrome.
- To reduce this risk when using the product, always wear protective gloves and keep your hands warm.

3. TECHNICAL DATA

| | |
|--|---|
| Model | 52PBC1-43BH.1 |
| Machine weight | 8.5Kg |
| Max engine power | 1.400kW / 1.9Hp |
| Engine displacement | 51.2cm ³ |
| Max cutting capacity | 43cm |
| Maximum rotational frequency of the spindle | Brush-cutter : 7850min ⁻¹ Grass-trimmer : 6750min ⁻¹ |

| | |
|--|---|
| Engine idling speed range | 3050±350min ⁻¹ |
| Spark plug reference | L8RTC |
| Gasoline Tank volume | 850cm ³ |
| Type of gasoline | Gasoline 95 unleaded (Europe-US) Gasoline 92 unleaded (Russia) |
| Sound pressure level (at operator position) | |
| Sound pressure level uncertainty K | |
| Sound power level | |
| Sound power level uncertainty K | |
| Guaranteed sound power level | |
| Vibration | |
| Vibration uncertainty K | |

| Cutting accessories provided | Type | Cutting width | Cutting thickness | Cutting diameter |
|-------------------------------------|---------------|----------------------|--------------------------|-------------------------|
| Blade | 3 teeth blade | 255 mm | 1,6 mm | 25,4 mm |
| Spool | Nylon line | 430 mm | 2,4 mm | N/A |

The declared vibration total value has been measured in accordance with a standard test method and may be used for comparing one tool with another. The declared vibration total value may also be used in a preliminary exposure assessment. The vibration emission during actual use of the power tool can differ from the declared total value depending on the ways in which the tool is used; and it may be necessary to identify safety measures to protect the operator that are based on an estimation of exposure in the actual conditions of use (taking into account all parts of the operating cycle such as the times when the tool is switched off and when it is running idle in addition to the trigger time).

4. ASSEMBLY



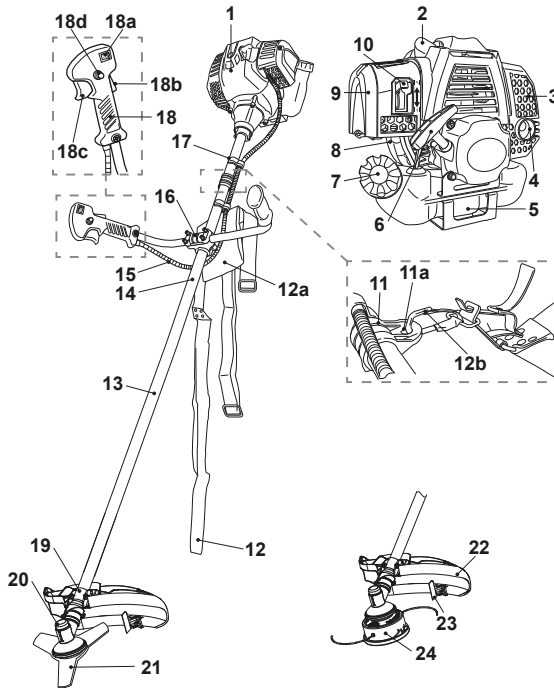
WARNING! The product must be fully assembled before operation! Do not use a product that is only partly assembled or assembled with damaged parts!

4.1 UNBOXING

RU

KZ

EN



- | | | | |
|--------------------------|-------------------------|-------------------------|-------------------------|
| 1. Engine | 9. Air filter case | 14. Upper shaft | 18d. Starter aid button |
| 2. Spark plug connector | 10. Chock lever | 15. Control cable | 19. Bracket |
| 3. Air vents | 11. Suspension sleeve | 16. Bracket | 20. Gear head |
| 4. Muffler | 11a. Loop | 17. Cable tie | 21. Cutter blade |
| 5. Fuel tank | 12. Harness | 18. Control handle | 22. Safety guard |
| 6. Recoil starter handle | 12a. Hip protection pad | 18a. Ignition switch | 23. Knife |
| 7. Fuel tank cap | 12b. Securing clip | 18b. Throttle interlock | 24. Trimming head |
| 8. Primer | 13. Lower shaft | 18c. Throttle control | |

- Wear gloves when unboxing.
- Do not use cutter, knife, saw or any other similar tool for unboxing.
- Carry the tool only by the handle.
- Store away from furnaces, stoves, water heaters or other appliances that have pilot lights or other ignition sources because they can ignite fuel vapors.
- Risk of fire in case of dry vegetation in the neighborhood.
- The engine shall always be OFF when the machine is left on the ground.
- Keep the box for further reuse (transport and storage).

- Keep instruction manual in a dry area for further consultation.

4.2 INSTALLATION

Assemble the shaft : illustration (2.1)

Join the shaft to the motor and install the bolt by a hexagon wrench. Do not over tighten. Ensure the shaft coupler is fixed securely.

Assemble the handle : illustration (2.2)



NOTE : There are three position notches on the stem, choose the best comfortable position when holding the tool.

1. Loosen the handle bolt.
2. Loosely clamp the lower handle on the upper stem.
3. Attach the upper and lower handles with the bolts by a hexagon wrench. Please note that there are two stickers "L" and "R" for left handle and right handle.
4. Adjust the handle to a position along the stem which is suitable for you to hold and guide the product.
5. Fix the handle by firmly tightening the bolts.

Install the harness : illustration (3.7)

The harness with quick release function can be hooked behind the hand.

Use the harness at all times adjust both harness and harness clamp on the unit so that the unit hangs a few inches above ground level. Harness the unit on the right side of your body.

Assemble the cutting head shield : illustration (2.7)

1. Install the cutting head shield on the neck of the head collar.
2. Install the three bolts to attach the shield by a hexagon wrench. Tighten securely.



CAUTION! The metal blade has sharp edges. Use the protective gloves when installing or removing the blade

Assemble the cutting head : illustration (2.3)

1. Insert a hexagon wrench into the locking hole until the head collar stops.
2. Screw the spool in place and turn clockwise until it cannot rotate any more with the locked hub.

Changing the cutting head to the cutting blade : illustration (2.5) to (2.6)

1. Rotate the head collar until the outer visible locking hole aligns with the inner locking hole beneath the head collar.
2. Insert a hexagon wrench into the locking hole until it stops.
3. Turn the head counterclockwise to unscrew and remove the head from the arbor.
4. Holding the wrench tight so the mounting disc does not move. Install the blade and fix plate.
5. Screw down the locknut and tighten it clockwise by holding the socket spanner .
6. Remove the spanner and the wrench and check for freedom of motion of the blade.
7. To remove the blade, unscrew the locknut counterclockwise and remove the fix plate.

Remove the line cutting blade cover



NOTE : It is recommended to cover the line blade when your work is finished.

Remove this cover before you turn on the machine.

Handling and filling the fuel : illustration (3.2) to (3.6)

• The engines are lubricated by oil specially formulated for air-cooled 2-cycle gasoline engine use. If oil is not available, use an antioxidant added quality oil expressly labeled for air-cooled 2-cycle engine use.

RECOMMENDED MIXING RATIO: GASOLINE 40 : OIL 1

• Take care when handling gasoline. Avoid direct contact with the skin and avoid inhaling fuel vapor. (Refer to assembly manual P.9-P.13).

• Use mid-grade unleaded gasoline with a minimum octane rating of 89 ((R+M)/2).

• Only mix sufficient fuel for a few days work, not to exceed 30days of storage. Store in approved fuel-containers only. When mixing,

1) Measure out the quantities of gasoline and oil to be mixed.

2) Put some of the gasoline into a clean, approved fuel container. Pour all of the oil in the fuel container. Pour the rest of gasoline in the oil container and agitate well, then pour the mixture in the fuel container.

3) Agitate the fuel container for at least one minute. Put a clear indication on the outside of the container to avoid confusing it for gasoline or other containers.



WARNING ! A. The fuel is highly flammable. Do not smoke or bring any flame or sparks near fuel. Clean the fuel cap and the area around it. FUEL WITH NO OIL(RAW GASOLINE)- It will cause severe damage to the engine inner parts very quickly. OIL FOR 4-CVCLE ENGINE USE or WATER COOLED 2-CVCLE ENGINE USE - It can cause spark plug fouling, exhaust port blocking, or piston ring sticking.

4.3 FIRST USE



WARNING ! Read the « SAFETY INSTRUCTION » section at the beginning of this manual including all text under subheading therein before using this product.

Pay particular attention using the machine for the first time : focus and dedicate all your attention to this first use. Make the first trial on a free space with no obstacle and no surrounding element

4.4 OPERATION

Start the product : illustration (4.1) to (4.10)

To turn the tool ON, push and hold the safety lock-off button with your thumb, while squeezing the ON/OFF trigger switch. Once the trigger switch engages, you can release the safety lock-off button and proceed with operation.

NOTE : The safety lock-off button reduces the risk of accidental starting.

To turn the tool OFF, release the ON/OFF trigger switch.

Hold the unit

WARNING: Always wear eye, hearing, hand, foot and body protection to reduce the risk of injury when operating this unit. Keep all parts of your body away from the rotating cutting attachment.

Stand in the operating position. Stand up straight. Do not bend over.

Keep feet apart and firmly planted.

Hold the shaft grip with the right hand. Keep the right arm slightly bent.

Hold the handle with the left hand. Keep the left arm straight.

Hold the unit at waist level.

Position the cutting head a few inches above the ground.

Do not over-reach; Keep all parts of your body away from the rotating cutting attachment

Operate the product : illustration (4.30) to (4.33)



CAUTION ! Always wear safety glasses. Wear a filter mask if the operation is dusty. Use of proper gloves and substantial footwear is also recommended.

Operation safety warnings :

- Check the product and accessories for damage before each use. Do not use the product if it is damaged or shows wear.
- Double check that the accessories and attachments are properly fixed.
- Always hold the product on its handle. Keep the handle dry to ensure safe support.
- Ensure that the air vents are always unobstructed and clear. Clean them if necessary with a soft brush. Blocked air vents may lead to overheating and damage the product.
- Switch the product off immediately if you are disturbed while working by other people entering the working area. Always let the product come to complete stop before putting it down.
- Do not overwork yourself. Take regular breaks to ensure you can concentrate on the work and have full control over the product.
- Before switching the product on, check whether it has been assembled correctly and all the moving parts are running smoothly.
- We recommend slightly dampening surfaces in dusty conditions or using a mister attachment.
- Operate the product only at reasonable hours – not early in the morning or late at night when people might be disturbed.
- Avoid using the product in bad weather conditions, especially when there is a risk of lightning. Do not operate the product in poor lighting. The operator requires a clear view of the work area to identify potential hazards.
- Operating similar tools nearby increases both the risk of hearing injury and the potential for other persons to enter your work area.

- Keep firm footing and balance.
- Do not overreach. Overreaching can result in loss of balance. Always be sure of the footing on slopes.
- Walk, never run. Keep all parts of your body away from any moving part.
- Never run the product without the proper equipment attached.
- Do not modify the product in any way or use parts and accessories that are not recommended by the manufacturer.



If the product is dropped, suffers heavy impact or begins to vibrate abnormally, immediately stop the product and inspect for damage or identify the cause of the vibration. Any damage should be properly repaired or replaced by an authorized service center.

- To reduce the risk of injury associated with contacting rotating parts, always stop the machine and make sure all moving parts have stopped:
 - before cleaning or clearing a blockage
 - when leaving the product unattended
 - before installing or removing attachments
 - before checking, maintaining or working on the product
 - if the machine starts to vibrate abnormally (inspect immediately)

4.5 CUTTING TIPS

Check the area you wish to cut and remove any objects that may be thrown up by the blade. Check the safety equipment on the unit before the start of work. Start the unit. Wear the protective device, use the harness and hold with your right hand on the operating handle. Gently push down fully on the fuel lever. Always cut at full speed!

Adjusting the trimming line : illustration (4.30)

This unit is equipped with a bump head. Trimming line can be released from the cutting head without stopping the engine. To release more line, lightly tap the bump knob on the ground while operating the unit at high speed. For best results, tap the bump knob on bare ground or hard soil. Attempting to release line in tall grass may stall the engine. Do not rest the cutting head on the ground while the unit is running. Each time the bump knob is tapped, about 25.4 mm of trimming line is released.



NOTE: Always keep the trimming line fully extended. Line release becomes more difficult when the cutting line gets shorter.

Maintaining the trimming line and blade

Hard surfaces, such as sidewalks, can cause the trimming line or blade to wear down quickly or break.

- Frequently check the trimming line length or blade's surface. Replace the trimming line or blade as needed.

• DO NOT force the unit. Make shallow cuts in as many passes as are necessary to achieve the desired depth. Cut at a slow, even pace.

Tips for best results

To direct clippings away from the operator, tilt the cutting head slightly down to the right; whenever possible swing the trimmer in a left to right cutting motion. There is an embossed arrow on the top of the safety guard indicating the preferred left to right direction of trimmer operation. Do not trim wet grass or weeds.



NOTE : Some line breakage will occur from:

- Entanglement with foreign matter;
- Normal line fatigue;
- Attempting to cut thick vegetation;
- Forcing the line into objects such as walls or fence posts.

4.6 AFTER USE

Switch the product off and let it cool down. Check, clean and store the product as described below.

5. TRANSPORTATION

Transporting the machine may require that you meet certain requirements specific to your country. Please make sure to respect them by contacting the authorities of your country, in order to respect them all. Ensure temperature during transportation will never be out of temperature range given on chapter storage. Always switch the product off.

Protect the product from any heavy impact or strong vibrations which may occur during transportation in vehicles. Secure the product to prevent it from slipping or falling over. Use the transport cover for metal blades during transport and storage

6. WINTERING

Follow all instructions given on chapter storage below. We recommend using the original package for storage or covering the product with a suitable cloth or enclosure to protect it against dust.

7. STORAGE

Store the machine : Illustration **6.4**

Only store the machine in a clean, dry, ventilated place with a temperature range of 4°C to 24°C. Cover it in order to provide added protection. We recommend using the original package for storage or covering the product with a suitable cloth or enclosure to protect it against dust. Be sure to secure the unit while transporting

Before storing the product, empty the fuel tank and run the engine until it is out of fuel. Shutdown the power tool . Examine the unit thoroughly for worn, loose or damaged parts. Clean the unit before storing. Do not expose the product to sunlight. Make sure the product is always protected from cold and humidity. Store and transport the machine and fuel so that there is no risk of any leakage or fumes coming into contact with sparks or naked flames.

In order to prevent unintentional starting of the engine, the spark plug cap must always be removed during long-term storage.

8. MAINTENANCE

8.1 CLEANING



DANGER! Risk of injury due to electric shock.
Remove the sparkplug of the tool before adjusting, inspecting, cleaning or storing the product.



WARNING ! Do not handle cutting parts without gloves as they are sharp and can become hot after use, potentially causing personal injury.

Cleaning the product : Illustration (5.7) to (5.10)

Keep all safety devices, air vents, and motor housing free of debris and dirt. Wipe down the equipment with a cloth. It is highly suggested that you clean the device after every use. Do not use cleaning agents, as these can attack the plastic and weaken the structural integrity of the product.

8.2 MAINTENANCE SCHEDULE

| Part | Action | Before/After each usage | Every 10H |
|-----------------|--------|---|-----------|
| AIR FILTER | CHECK | ● | |
| | CLEAN | | ● |
| | CHANGE | WHEN IT'S NECESSARY / REFER TO TROUBLE SHOOTING | |
| SPARK PLUG | CHECK | | ● |
| | CLEAN | | ● |
| | CHANGE | WHEN IT'S NECESSARY / REFER TO TROUBLE SHOOTING | |
| GASOLINE FILTER | CHECK | ● | |
| | CLEAN | | ● |
| | CHANGE | WHEN IT'S NECESSARY / REFER TO TROUBLE SHOOTING | |
| BLADE | CHECK | ● | |
| | CLEAN | ● | |
| | CHANGE | WHEN IT'S NECESSARY / REFER TO TROUBLE SHOOTING | |
| | SHARP | | ● |
| SPOOL | CHECK | ● | |
| | CLEAN | ● | |
| | REWIND | WHEN IT'S NECESSARY | |
| | CHANGE | WHEN IT'S NECESSARY / REFER TO TROUBLE SHOOTING | |
| | GREASE | | ● |

| Part | Action | Before/After each usage | Every 10H |
|--------------|--------|---|-----------|
| GEARBOX | CHECK | ● | |
| | CLEAN | ● | |
| | GREASE | | ● |
| STARTER ROPE | CHECK | ● | |
| | CHANGE | WHEN IT'S NECESSARY / REFER TO TROUBLE SHOOTING | |

8.3 REPLACEMENT

Replacing the spool (bump head) : illustration (5.1) to (5.5)

Only authorized trimmer head could be used which described in the technical data. Fit the trimmer head as described in assembly of the trimmer head, see Changing the trimmer head to the trimmer head. For more help, Contact your local after service.



NOTE : Make sure that the ends of the lines extend approximately 330 mm.

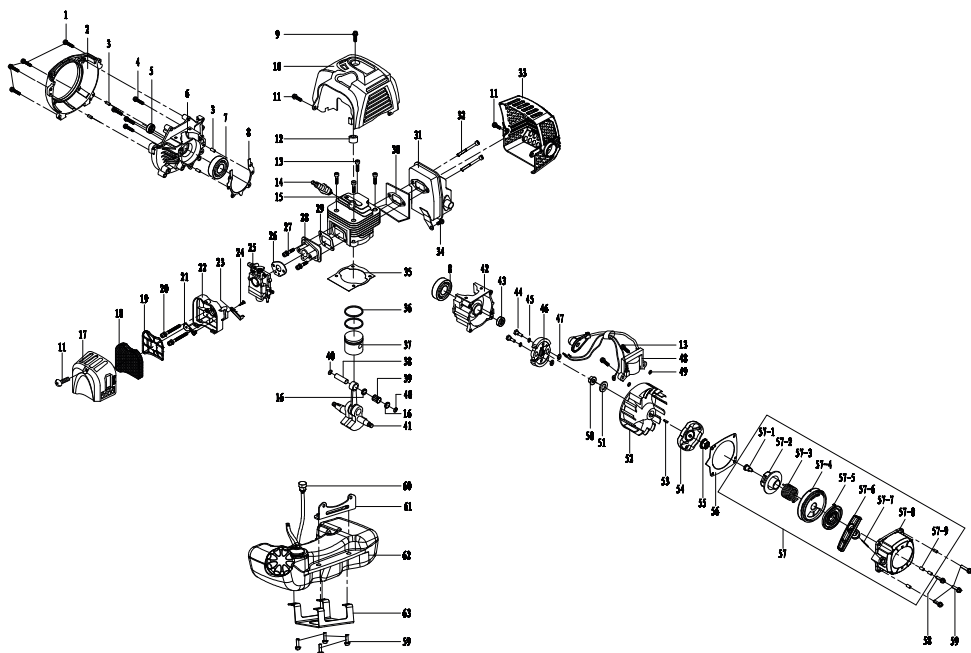
Replacing the blade Illustration (5.7) to (5.8)

Only authorized blade could be used which described in the technical data. Fit the blade as described in assembly of the blade, see Changing the cutting head to the cutting blade. For more help, Contact your local after service.



CAUTION : After changing the blade, run under no load for at least a minute to make sure that the blade and the tool are both operating correctly.

8.4 EXPLODED VIEW

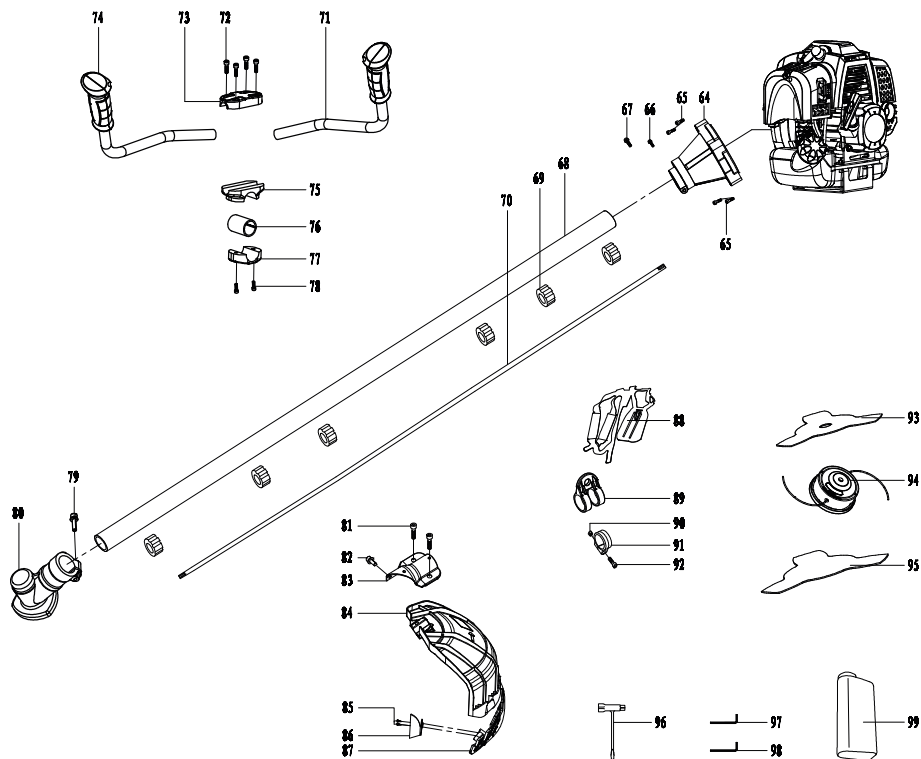


| POS | DESCRIPTION | NB |
|-----|----------------------------------|----|
| 1 | Hex. Screw M5X25 | 4 |
| 2 | Fly wheel cap | 1 |
| 3 | Round pin 5X10 | 4 |
| 4 | Hex. Screw M5X35 | 4 |
| 5 | Oil seal 15X30X7 | 1 |
| 6 | Upper crankcase | 1 |
| 7 | Deep groove ball bearing 6202 | 2 |
| 8 | Crankcase sealing gasket | 1 |
| 9 | Hex. Screw M5X20 | 1 |
| 10 | Cylinder top cover | 1 |
| 11 | Hex. Screw M5X12 | 3 |
| 12 | Cylinder top cover insulated pad | 1 |
| 13 | Hex. Screw M5X20 | 6 |
| 14 | Spark plug | 1 |
| 15 | Cylinder | 1 |

| | | |
|----|----------------------------|---|
| 16 | Needle bearing retainer | 1 |
| 17 | Air filter cover | 1 |
| 18 | Air filter sponge | 1 |
| 19 | Sponge retainer | 1 |
| 20 | Hex. Screw M5X55 | 2 |
| 21 | Damper plate | 1 |
| 22 | Air filter base | 1 |
| 23 | Throttle trigger | 1 |
| 24 | Hex. Screw M2.9X8 | 1 |
| 25 | Carburetor | 1 |
| 26 | Carburetor gasket | 1 |
| 27 | Hex. Screw M5X30 | 2 |
| 28 | Intake tube | 1 |
| 29 | Intake tube sealing gasket | 1 |
| 30 | Muffler sealing gasket | 1 |
| 31 | Muffler | 1 |
| 32 | Hex. Screw M6X60 | 2 |

| POS | DESCRIPTION | NB |
|-----|---------------------------------------|----|
| 33 | Muffler cover | 1 |
| 34 | Hex. Screw M5X16 | 1 |
| 35 | Cylinder gasket | 1 |
| 36 | Piston Ring | 2 |
| 37 | Piston | 1 |
| 38 | Piston Pin | 1 |
| 39 | Needle Bearing 10X13X13 | 1 |
| 40 | Piston Pin circlip | 2 |
| 41 | Crankshaft-connecting rod assembly | 1 |
| 42 | Lower crankcase | 1 |
| 43 | Oil Seal 12X22X7 | 1 |
| 44 | Clutch bolt | 2 |
| 45 | Wave spring washers 10 | 2 |
| 46 | Cluth assembly | 1 |
| 47 | Flat washer 8X18X1.2 | 2 |
| 48 | Ignition coil assembly | 1 |
| 49 | Ignition coil heat insulation pad | 2 |
| 50 | Nut M8X1.25 | 1 |
| 51 | Flat washer 8X16X1.5 | 1 |

| | | |
|------|--------------------------------|---|
| 52 | Flywheel assembly | 1 |
| 53 | Semicircular key 3X13 | 1 |
| 54 | Starter Driving Plate | 1 |
| 55 | Nut M8X1.25 | 1 |
| 56 | Starter gasket | 1 |
| 57 | starter assembly | 1 |
| 57-1 | Starter cover screw M5X9 | 1 |
| 57-2 | Starter wheel | 1 |
| 57-3 | Starter spring | 1 |
| 57-4 | Rotation wheel | 1 |
| 57-5 | Starter coil spring | 1 |
| 57-6 | Starter handle | 1 |
| 57-7 | Starter rope | 1 |
| 57-8 | Starter cover | 1 |
| 57-9 | Bushing | 1 |
| 58 | Hex. Screw M5X25 | 1 |
| 59 | Hex. Screw M5X30 | 7 |
| 60 | Stabilizer | 1 |
| 61 | Tank fixing bracket | 1 |
| 62 | Fuel tank assembly | 1 |
| 63 | Oil Tank Protection bracket | 1 |



| POS | DESCRIPTION | NB |
|-----|-----------------------------------|----|
| 64 | Output base assembly | 1 |
| 65 | Hex. Screw M6X30 | 4 |
| 66 | Hex. Screw M5X12 | 1 |
| 67 | Hex. Screw M6X25 | 1 |
| 68 | Aluminum tube | 1 |
| 69 | Oiliness shaft sleeve | 6 |
| 70 | Transmission shaft | 1 |
| 71 | Right handle | 1 |
| 72 | Hex. Screw M5X25 | 4 |
| 73 | Handle permanent seat lower cover | 1 |
| 74 | Left handle | 1 |
| 75 | Handle permanent seat | 1 |
| 76 | Absorber sleeve | 1 |

| | | |
|----|-----------------------------------|---|
| 77 | Handle permanent seat upper cover | 1 |
| 78 | Hex. Screw M5X35 | 2 |
| 79 | Hex. Screw M5X20 | 1 |
| 80 | Gear box assembly | 1 |
| 81 | Hex. Screw M6X25 | 2 |
| 82 | Hex. Screw M5X16 | 1 |
| 83 | protective guard upper cover | 1 |
| 84 | Safety guard | 1 |
| 85 | Hex. Screw ST4.2X9.5 | 2 |
| 86 | Knife | 1 |
| 87 | protective guard broadside | 1 |
| 88 | Belt | 1 |
| 89 | Belt seat | 1 |
| 90 | Nut M5 | 1 |

| POS | DESCRIPTION | NB |
|-----|-----------------------|----|
| 91 | Belt seat fixing clip | 1 |
| 92 | Hex. Screw M5X16 | 1 |
| 93 | Cutter blade | 1 |
| 94 | Trimming head | 1 |
| 95 | Cutter blade sleeve | 1 |

| | | |
|----|------------------------------|---|
| 96 | Multi tool | 1 |
| 97 | Internal hexagonal wrench M5 | 1 |
| 98 | Internal hexagonal wrench M4 | 1 |
| 99 | Mixing bottle | 1 |

8.5 TROUBLESHOOTING



DANGER ! Risk of injury due to electric shock.
Warning ! Before any trouble shooting, switch off the product.

| Problems | Probable causes | Solutions | Qualification required |
|-------------------|--|---|------------------------|
| Loss of the blade | The blade has been not enough screwed | Check the blade fixation | - |
| | The motor has a motor conception issue | Check if the product is linked to a product recall | After sales service |
| No engine stop | The OFF switch is defective | Test it and change it by a new one | After sales service |
| | The brake system is defective | Test it and change it by a new one | After sales service |
| | The trigger system is defective | Test it and change it by a new one | After sales service |
| No engine start | Gasoline tank is empty | Fill the tank with a good mixture of gasoline and oil | - |
| | | Fill the tank with a new gasoline | - |
| | The gasoline strainer is not well placed (on the bottom) | Check its position or replace it | - |
| | The switch is on OFF position | Put the switch on ON position | - |

| Problems | Probable causes | Solutions | Qualification required |
|------------------|---|--|------------------------|
| No engine start | The priming bulb has not been pressed enough | Press the priming bulb until the gasoline is visible inside (4-7 times) | - |
| | The spark plug is dirty | Remove and clean the electrode with a spark plug brush (iron bristle brush) | - |
| | The spark plug spring doesn't match with the plug | Remove and change the spark plug by a new one | - |
| | The spark plug is defective | Check is the spring is still on the cap. Otherwise change it by a new one | - |
| No engine start | The engine is flooded | Close the starter, remove the spark plug, clean the spark plug, return the machine and pull the rope 5 to 10 times to empty the cylinder of gasoline | - |
| | The gasoline pipe is drilled | Remove it and change it by a new one | After sales service |
| | The carburetor is not well adjusted | Resume the carburetor setting procedure from the beginning | After sales service |
| | The carburetor is defective | Test it and change it by a new one | After sales service |
| Vibration | Nuts / screws are not well tight | Screw the nut(s) / screw(s) | - |
| Excessive noise | Nuts / screws are not well tight | Screw the nut(s) / screw(s) | - |
| | The blade is not enough set | | |
| Over-consumption | Carburetor is not well adjusted / | Resume the carburetor setting procedure from the beginning | After sales service |
| Unwanted smoke | The mixing (gasoline / oil) is not good | Drain the tank and do it again (following the instruction) | - |
| Oil leak | There is a leak of oil lubricant due to a defective assembling (bad connection) | Find the leak location and replace the part by a new one | After sales service |

| Problems | Probable causes | Solutions | Qualification required |
|---|--|---|------------------------|
| Gasoline leak | There is a leak of gasoline due to a defective assembling (drilled pip/bad connection) | Find the leak location and replace the part by a new one | After sales service |
| Poor trimming quality | There is no more line on the spool | Change the line | - |
| | The TAP N GO system of the spool is defective | Change it by a new one | - |
| | The blade is damaged | Sharpen it or change it by a new one | - |
| The engine lacks of power | The air filter is dirty | Clean it or replace it by a new one | - |
| | The spark plug is dirty | Remove and clean the electrode with a spark plug brush (iron bristle brush) | - |
| | The gasoline filter is blocked | Replace it by a new one | After sales service |
| | The carburetor speed screw is not well adjusted | Resume the carburetor setting procedure from the beginning | After sales service |
| The engine doesn't go to the idle speed | Gasoline filter is blocked | Replace it by a new one | After sales service |
| | The carburetor idle speed screw is not well adjusted | Resume the carburetor setting procedure from the beginning | After sales service |
| Motor runs but the cutting device doesn't run | The cutting device can be too screwed | Check if you can remove it easily, try again to start no load and check if it works | Customer |
| | During the assembly, the clutch could have been misplaced | Check the global assembly. And try again | Customer |

*Over current means "Self-protection". This mode is a degraded mode, limited in time (we recommend a maximum duration of 5 minutes) during which the use of the product is made impossible so that the product can recover its initial state.

9. END OF LIFE



Electrical products should not be discarded with household products. Used electrical products must be collected separately and disposed of at collection points provided for this purpose. Talk with your local authorities or dealer for advice on recycling.

10. WARRANTY

10.1 OUR WARRANTY

STERWINS products are designed according to the highest quality standards for products intended for the consumer market. This sale warranty covers a period of 3 years as of the date of purchase of the product. This warranty covers all defects in materials and workmanship: missing parts and elements, and damage occurring under normal use circumstances. Repair and replacement of parts do not lead to an extension of the initial warranty period. You must be able to provide proof of the purchase for this product and the date of purchase. Warranty coverage is limited to the value of this product.

10.2 WARRANTY EXCLUSIONS

This warranty does not cover problems nor incidents resulting from incorrect use of the product.

The following items are not covered by warranty :

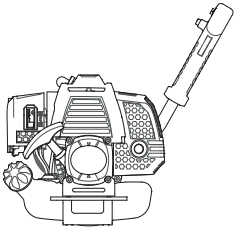
- The tool have been used incorrectly; or
- Damage occurring upon transporting or setting up this product; or
- Repairs and/or change of parts carried out by a third party; or
- Damage caused by external factors or foreign objects such as sand or stones; or
- Damage resulting from non-compliance with the safety and usage instructions; or
- The tool have been disassembled or opened; or
- The tool have been in a wet environment (dew, rain, submerged in water...); or
- The tool has been used for professional purpose; or
- The tool has been exposed to a temperature out of the range specified in chapter "storage"

The product must be used under normal usage circumstances, and for non-professional purposes. Therefore, excluded from this warranty are products used by gardening companies, local authorities, as well as companies offering paid rentals or free loaning of equipment.

In the event of a problem or defect, you should first always consult your Sterwins dealer. In most cases, the Sterwins dealer will be able to solve the problem or correct the defect. Keep your invoice or your receipt: these documents will be requested upon processing any claims.



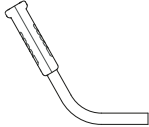
A x1



K x1



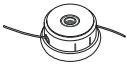
B x1



H x1



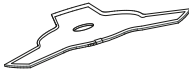
C x1



J x1



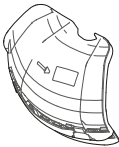
D x1



L x1 M4



E x1



M x1 M5



F x2 M6x25



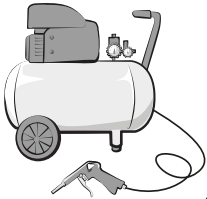
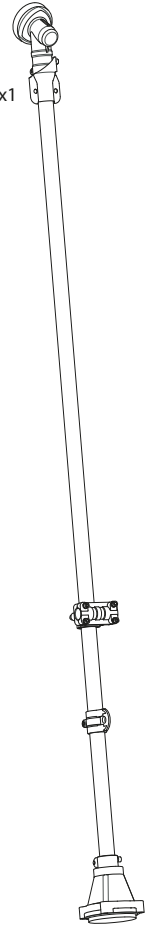
N x2



G x4 M6x30



I x1

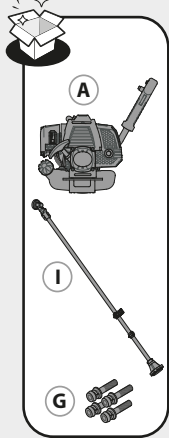


or

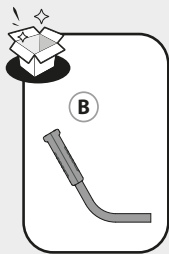
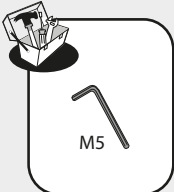
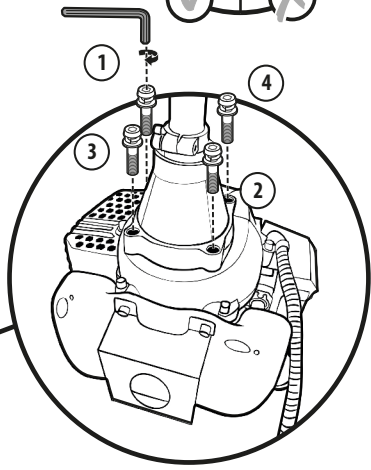
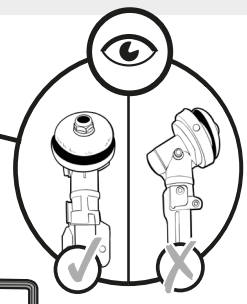
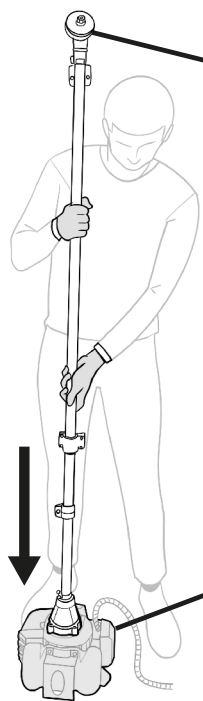


+

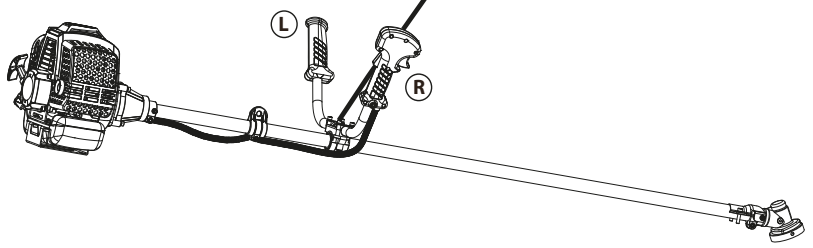
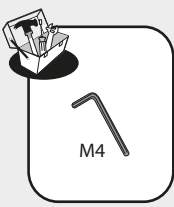
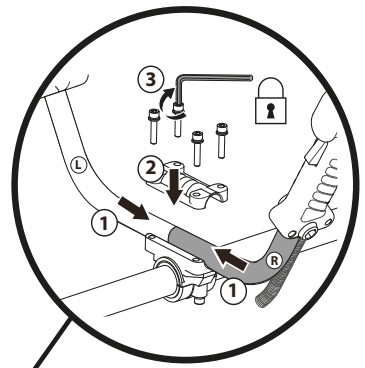
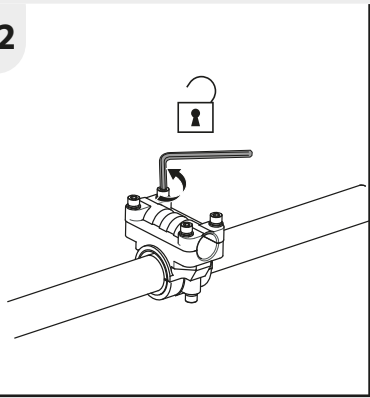


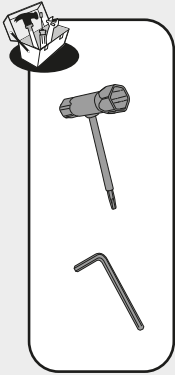


2.1

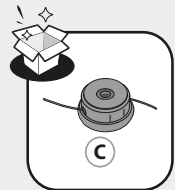
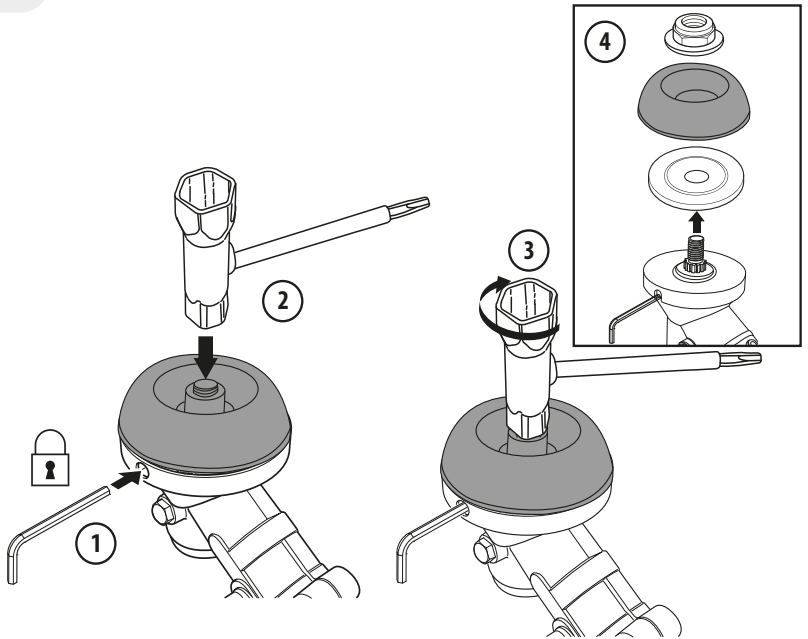


2.2

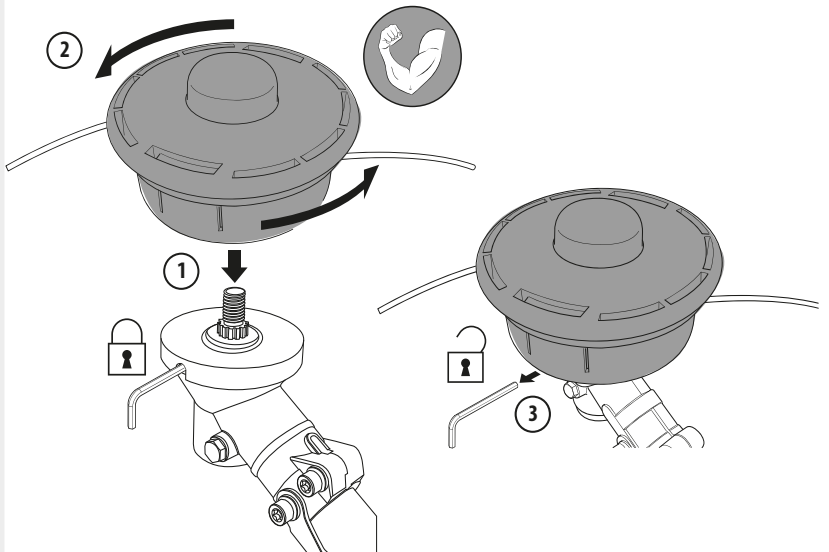


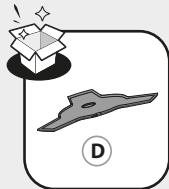


2.3

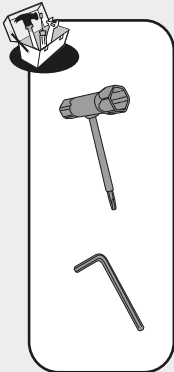
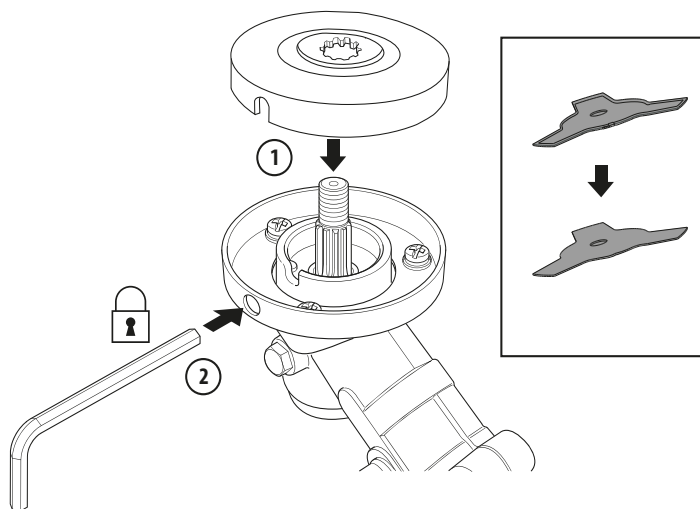
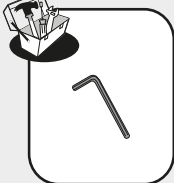


2.4

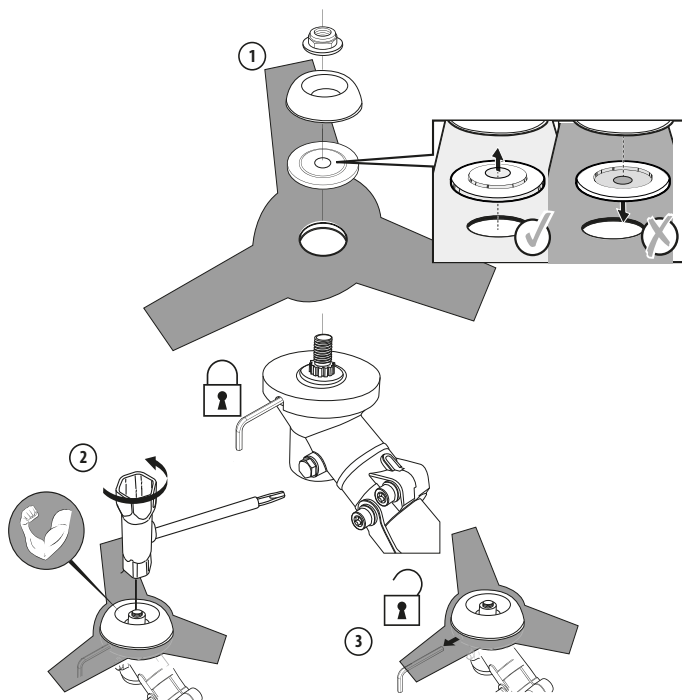


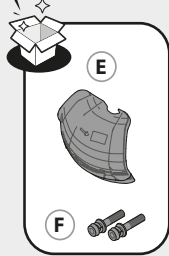


2.5

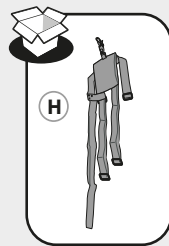
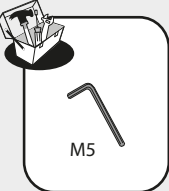
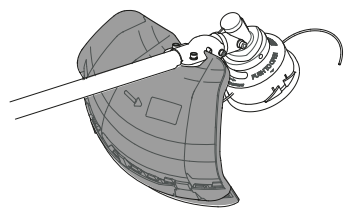
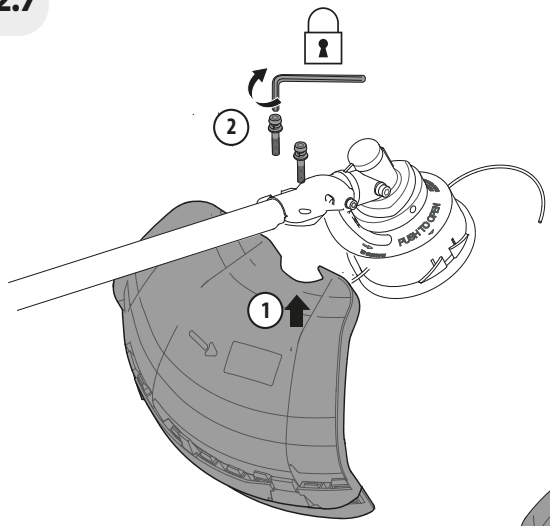


2.6

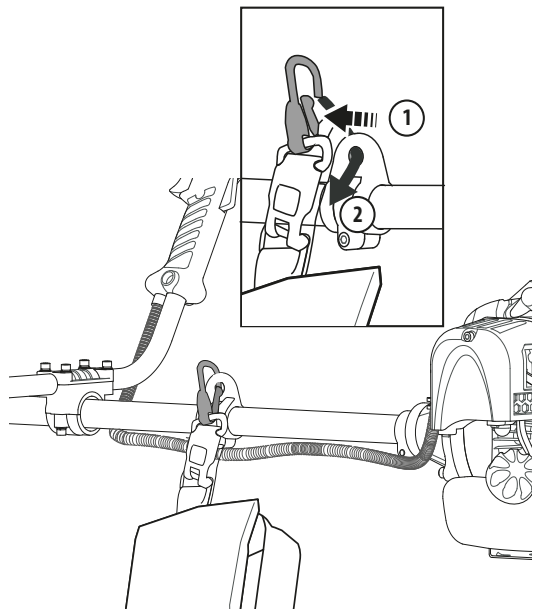




2.7

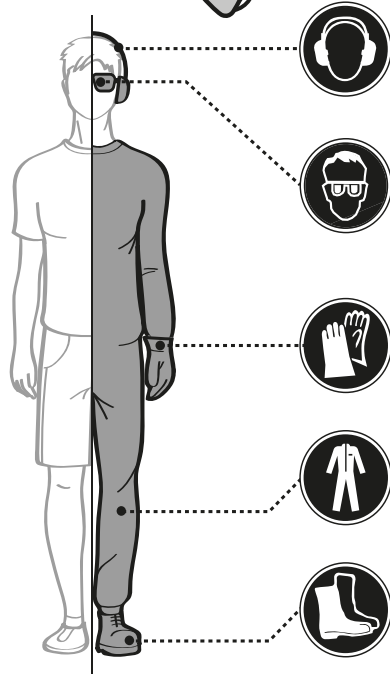


2.9

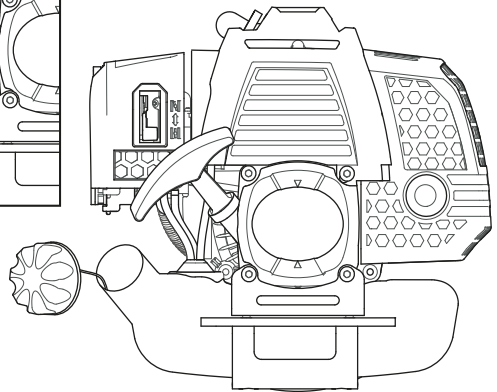
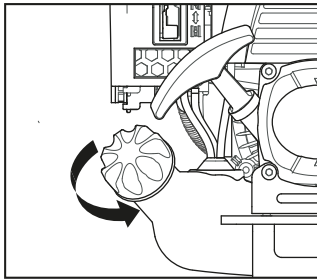


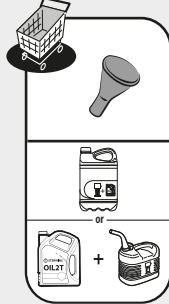


3.1

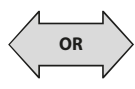


3.2

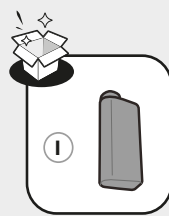




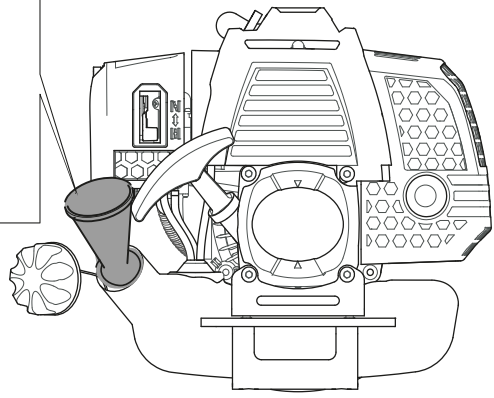
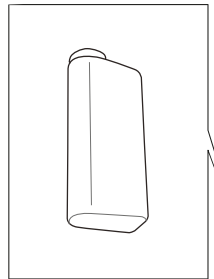
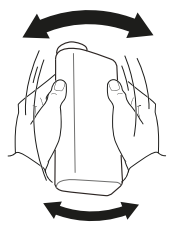
3.5



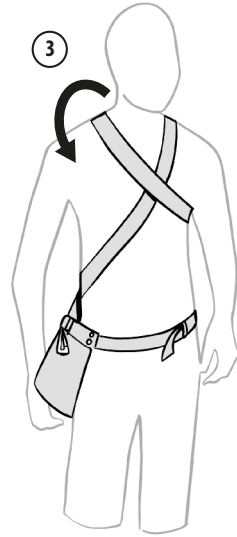
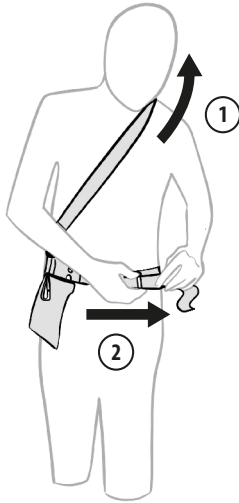
| | |
|-----------|--------------|
| | |
| | |
| 1L | 25ml |
| 2L | 50ml |
| 3L | 75ml |
| 4L | 100ml |
| 5L | 125ml |

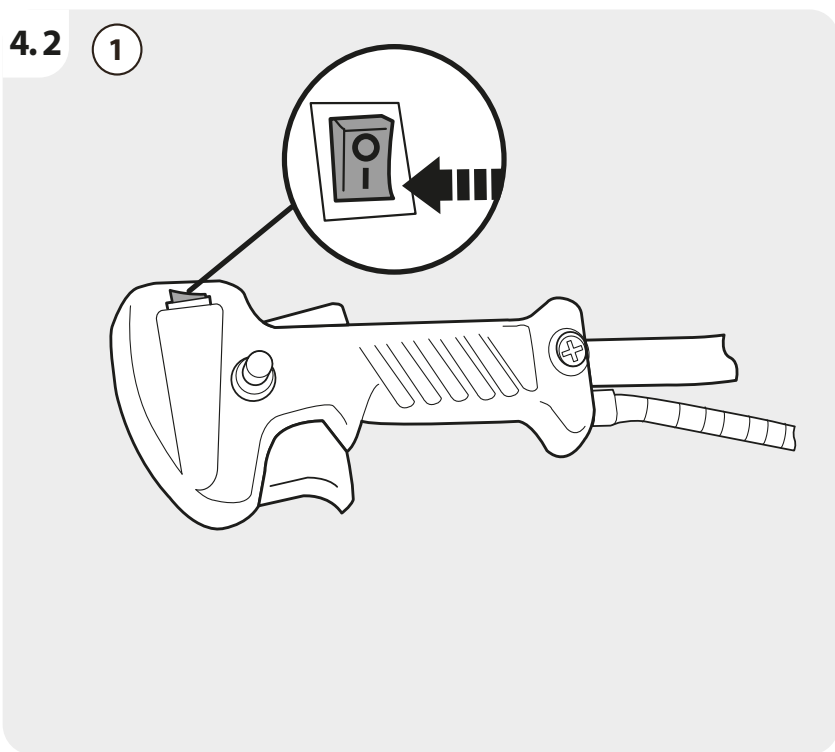
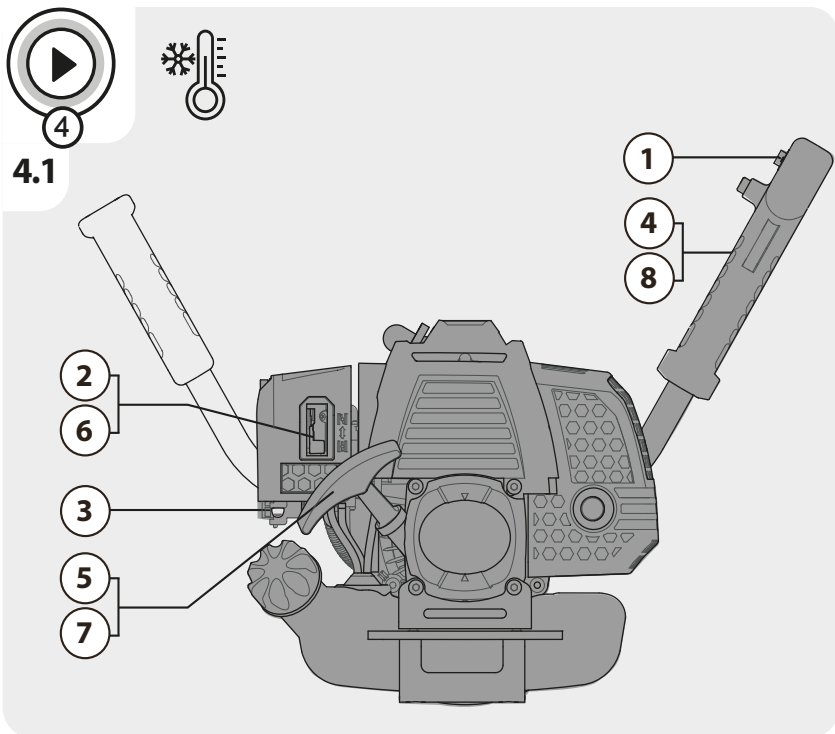


3.6



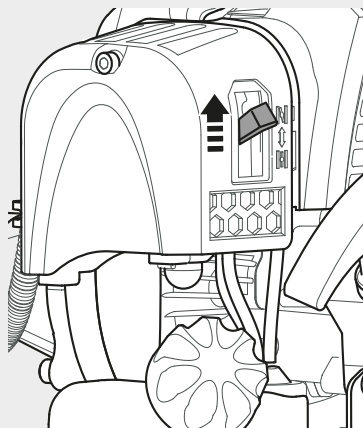
3.7





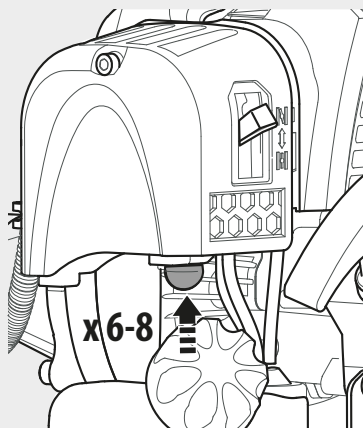
4.3

2



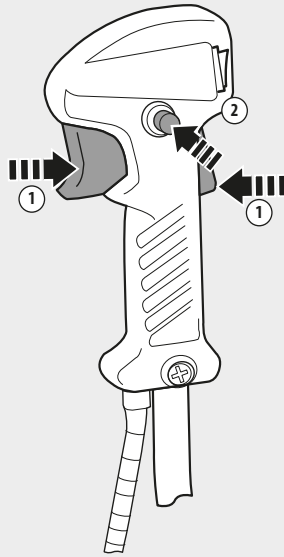
4.4

3



4.5

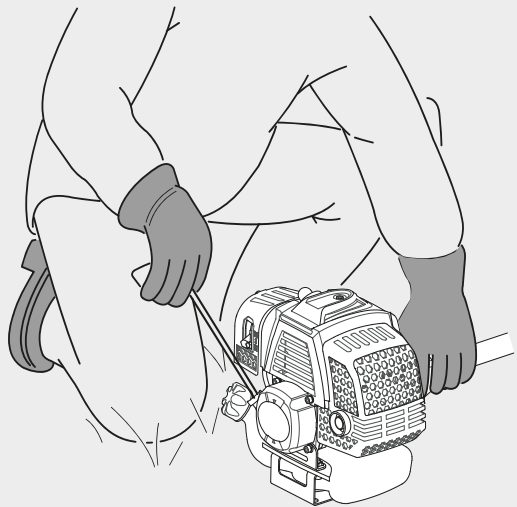
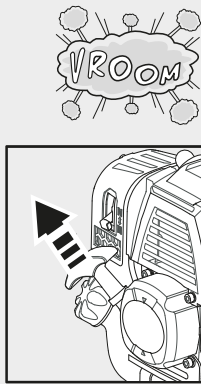
4



4.6

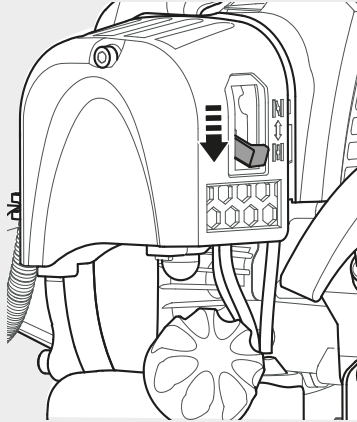
5

x5 MAX



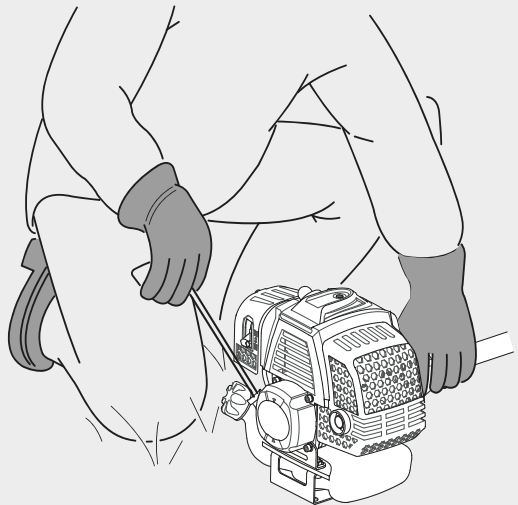
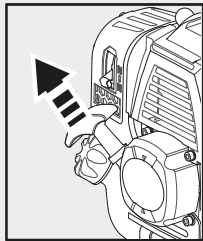
4.7

6



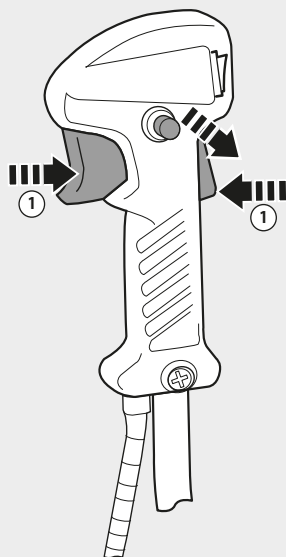
4.8

7



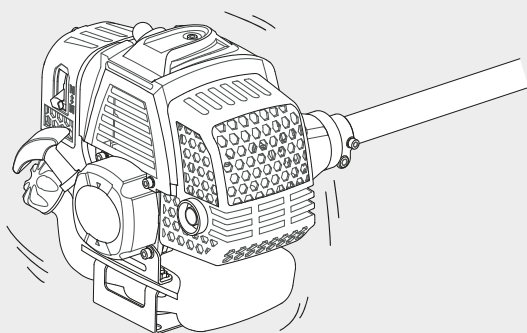
4.9

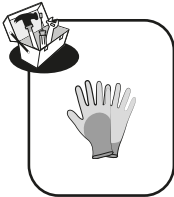
8



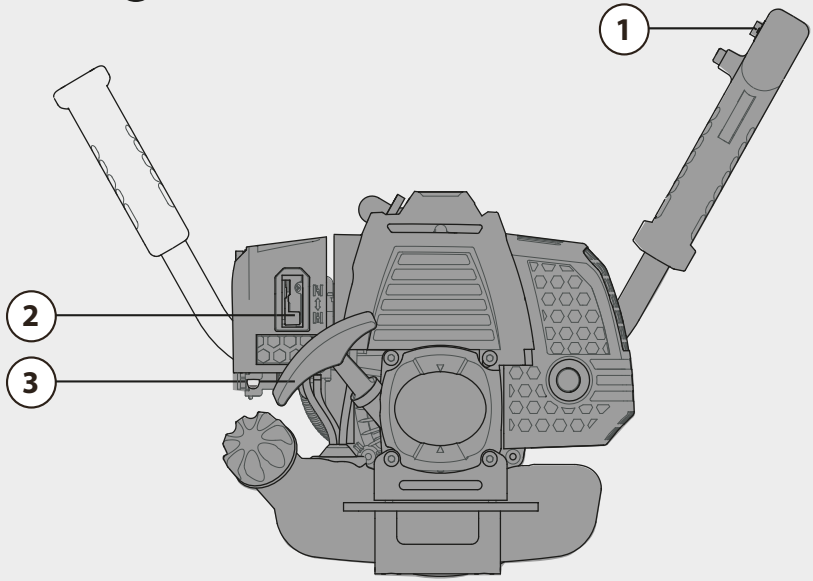
4.10

9



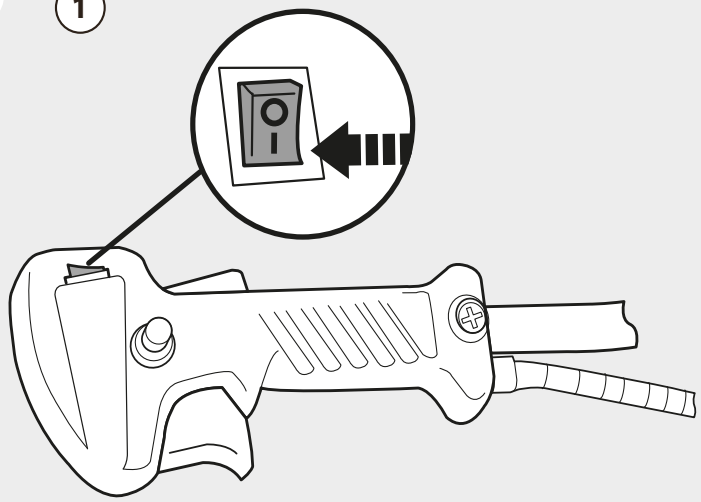


4.11

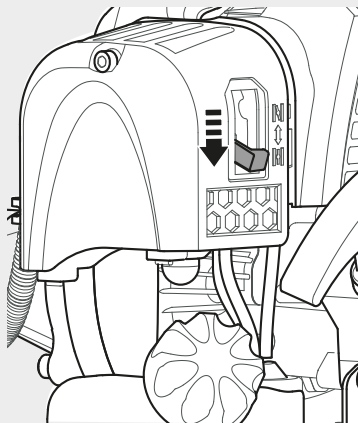


4.12

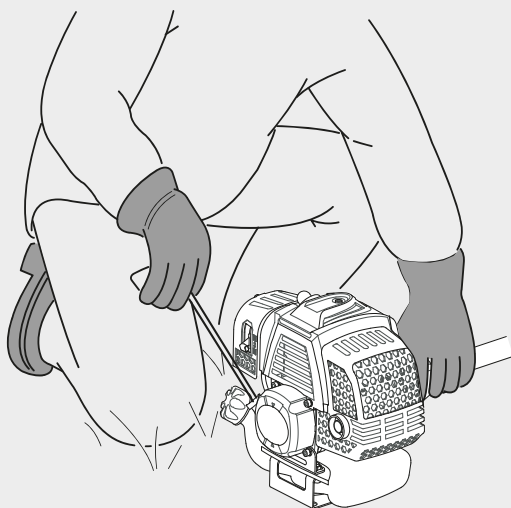
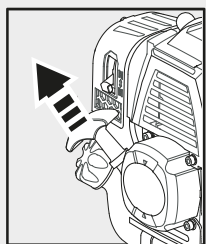
1



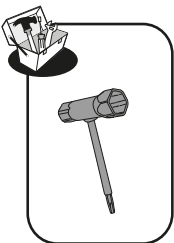
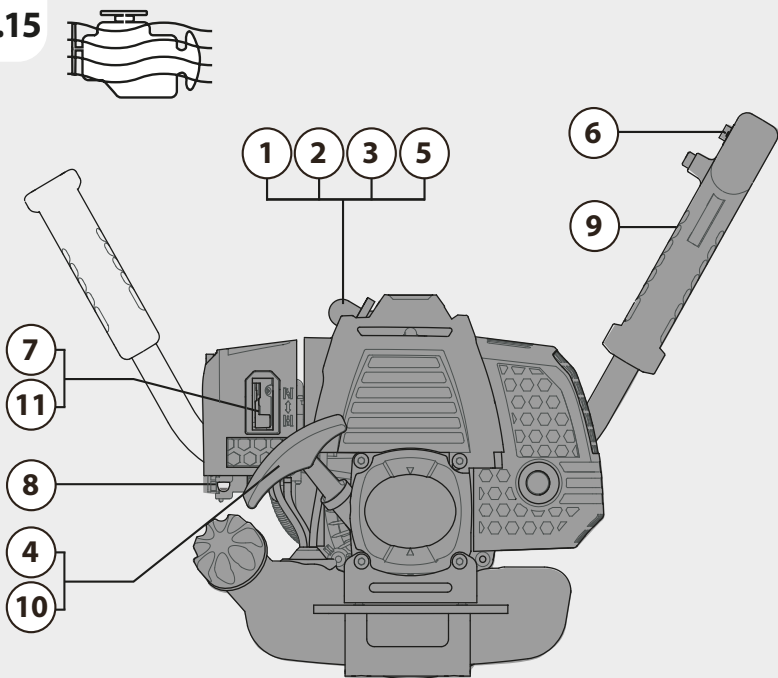
4.13 ②



4.14 ③

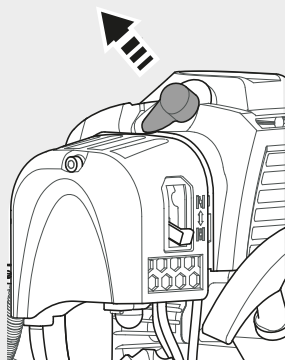


4.15



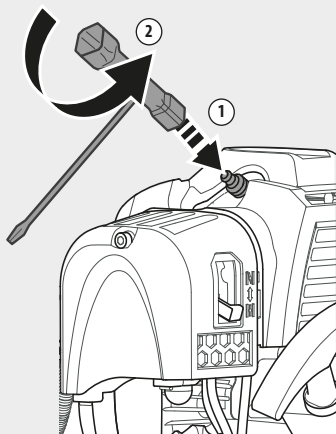
4.16

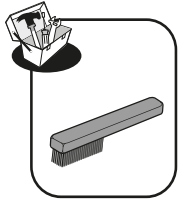
1



4.17

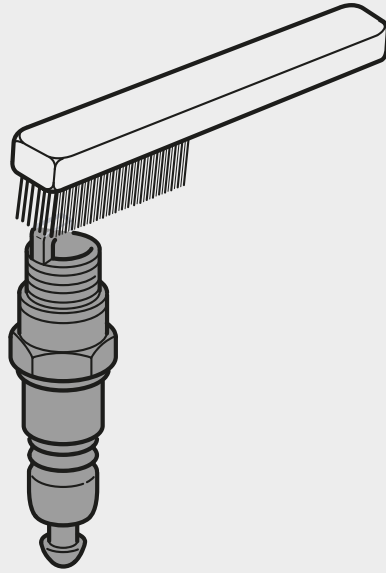
2





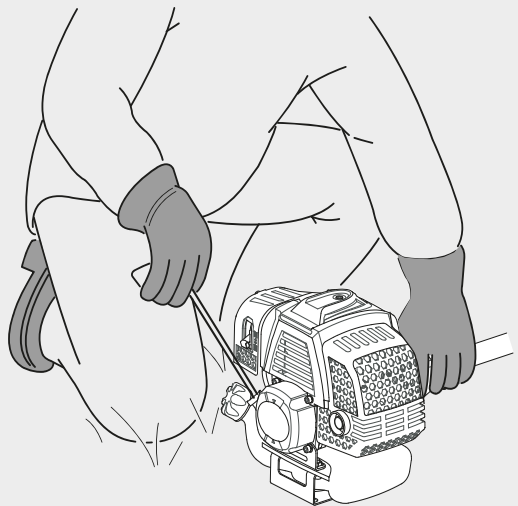
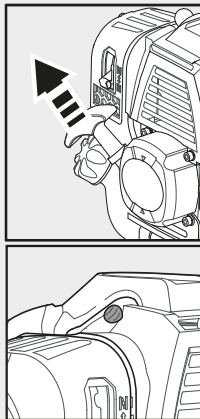
4.18

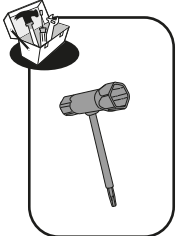
3



4.19

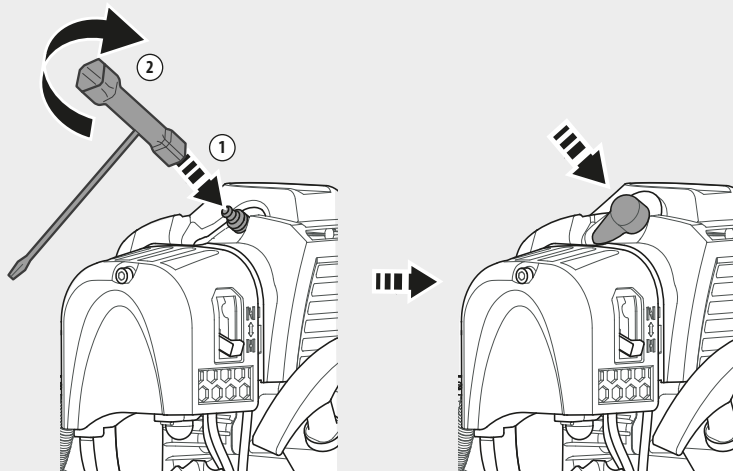
4





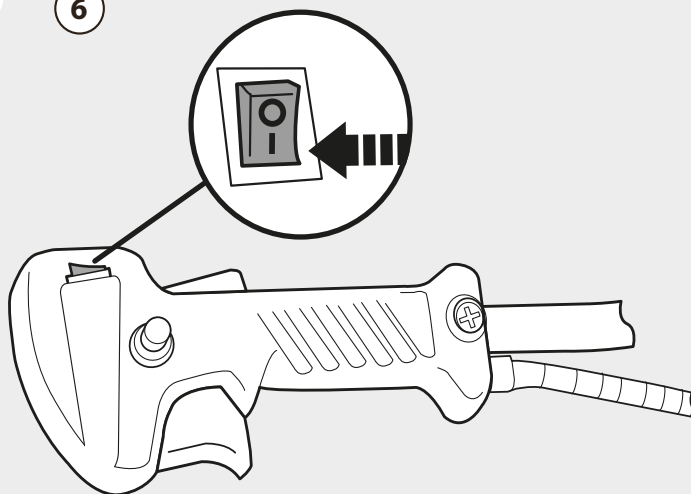
4.20

5

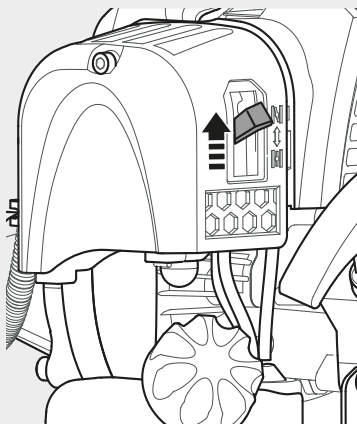


4.21

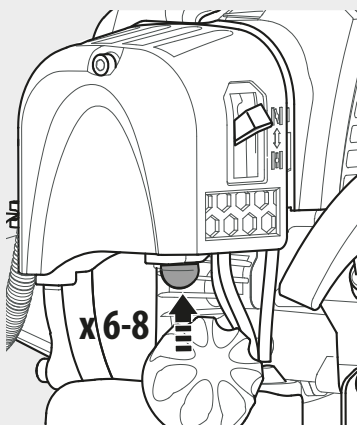
6



4.22 (7)

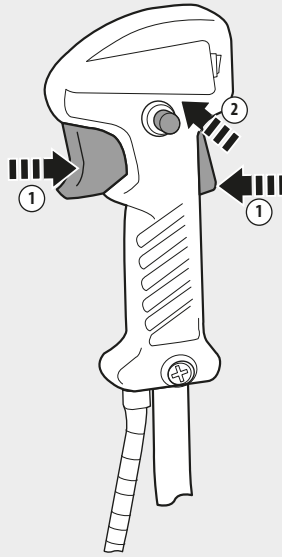


4.23 (8)



4.24

9

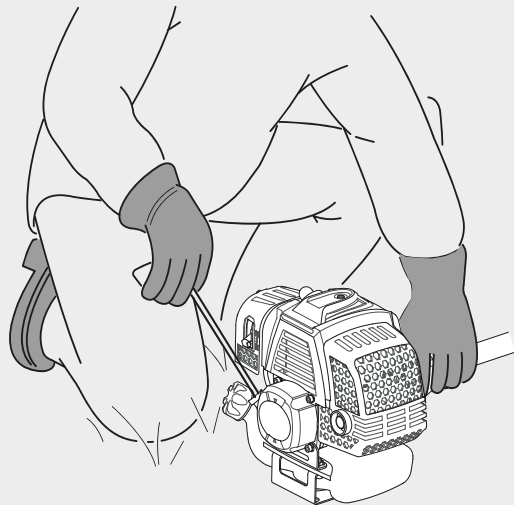
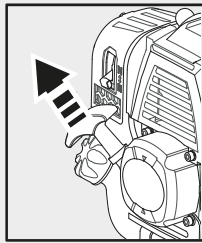


4.25

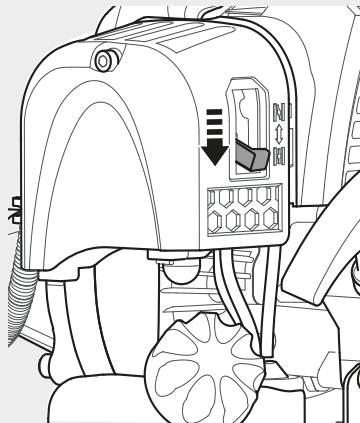
10



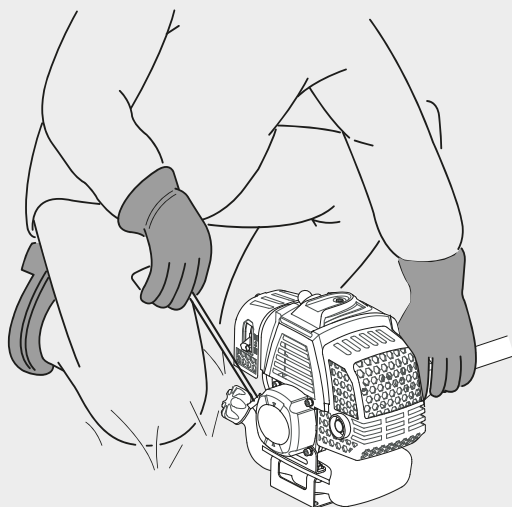
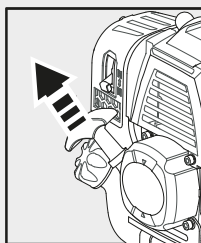
x5 MAX



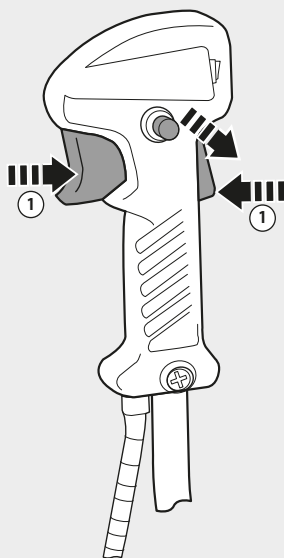
4.26 (11)



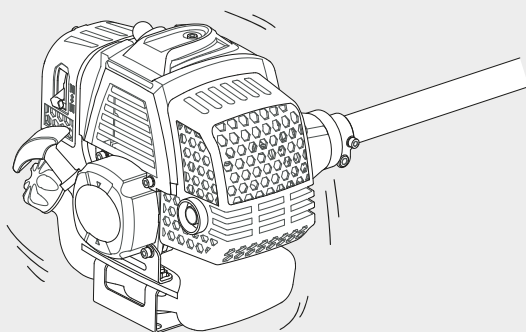
4.27 (12)



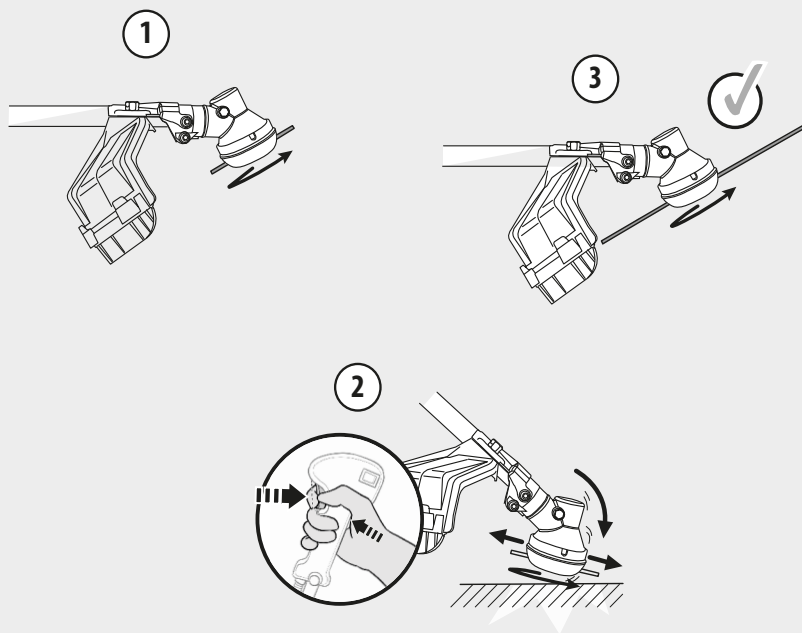
4.28 13



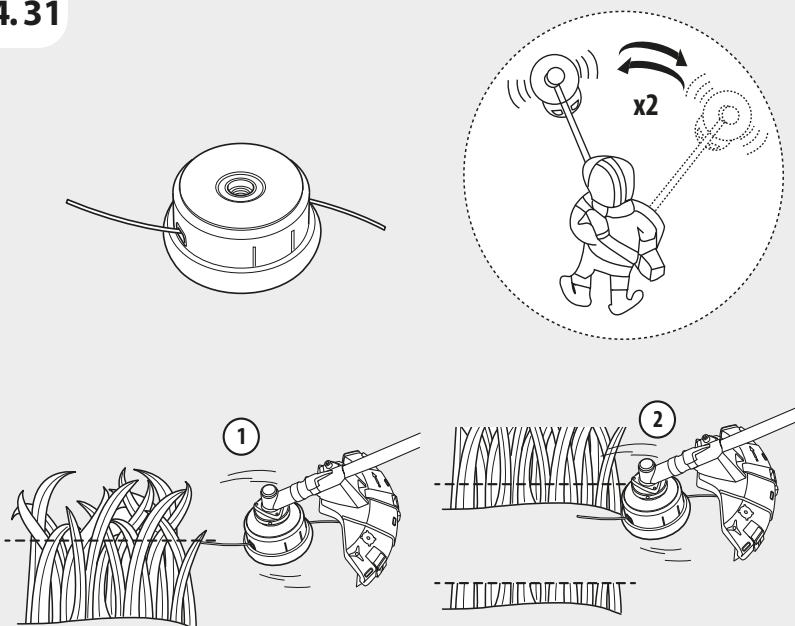
4.29 14



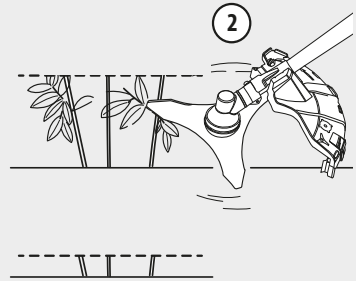
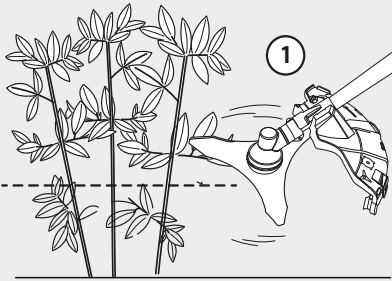
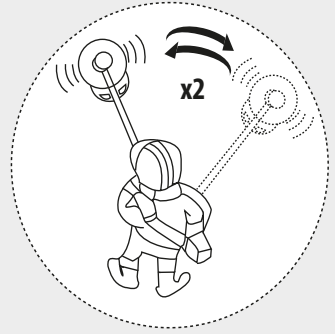
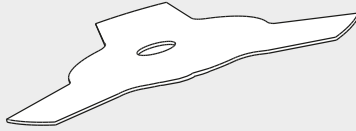
4.30



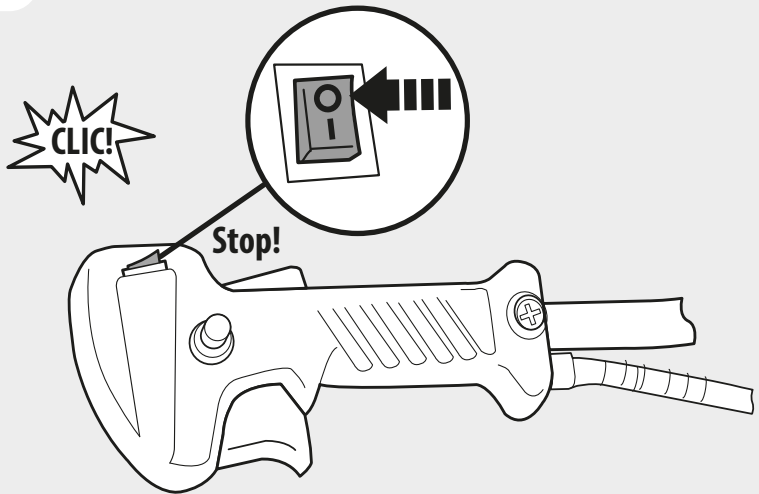
4.31



4.32

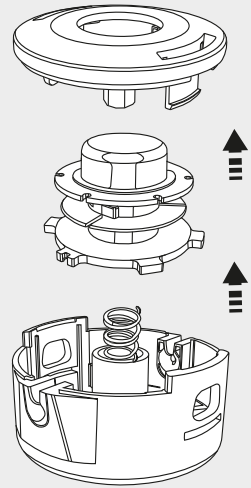
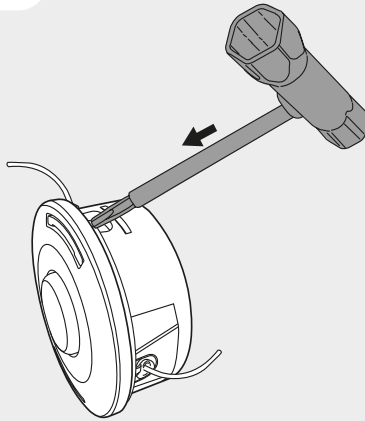
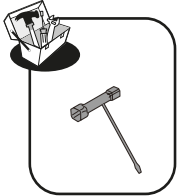


4.33

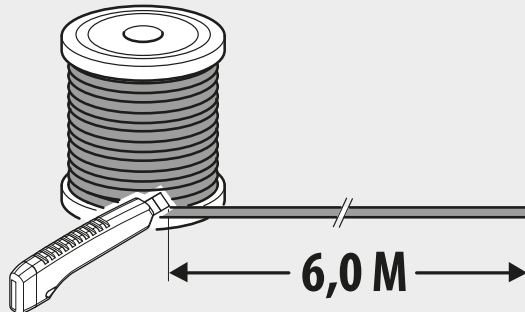
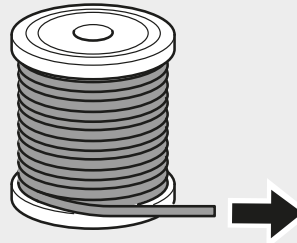
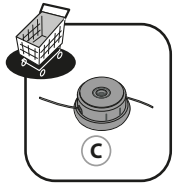




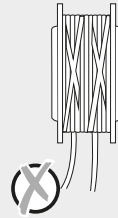
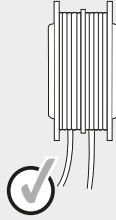
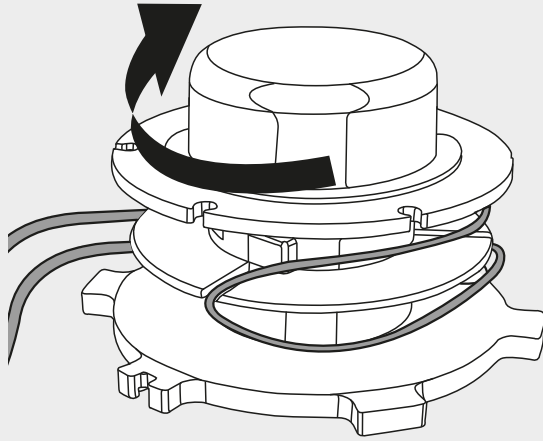
5.1



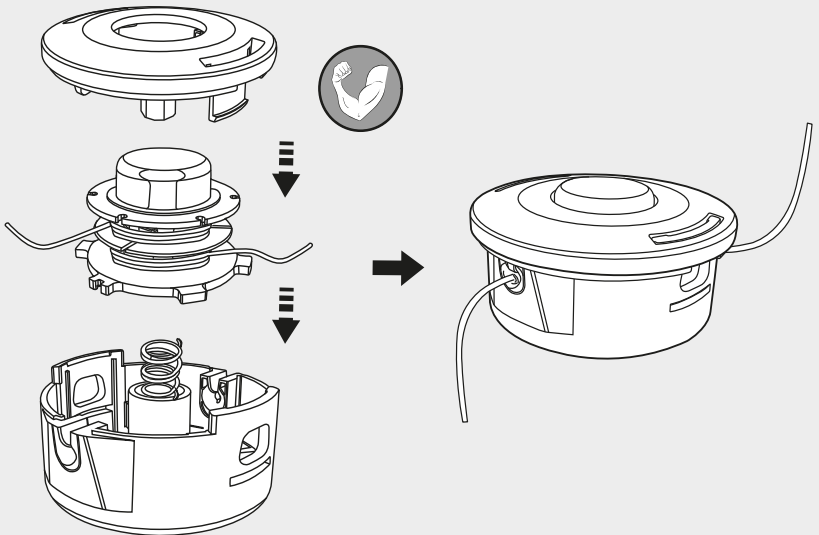
5.2



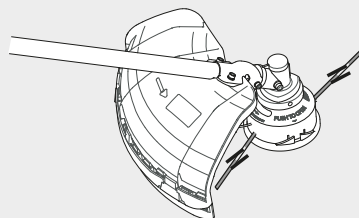
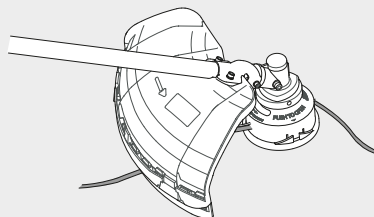
5.3



5.4

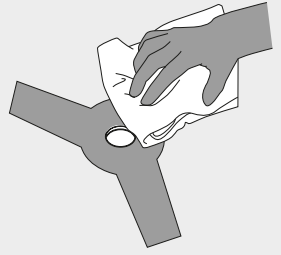
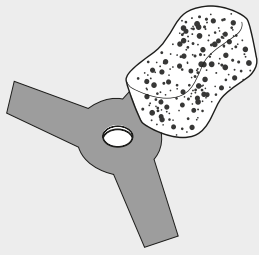
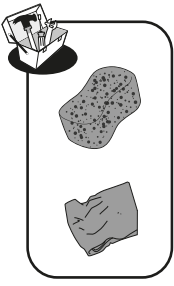


5.5

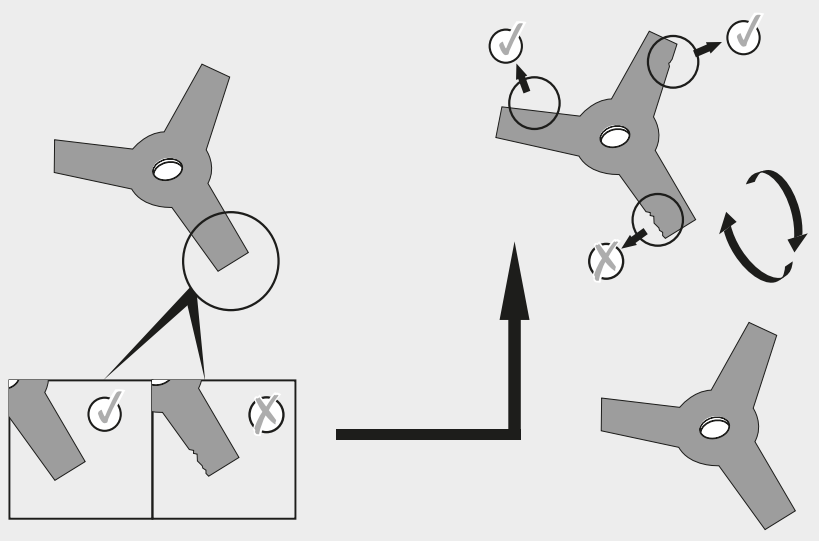


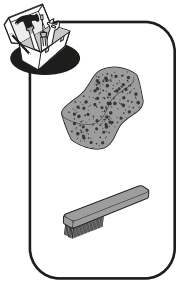


5.7

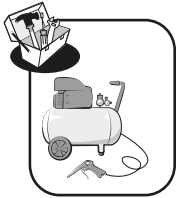
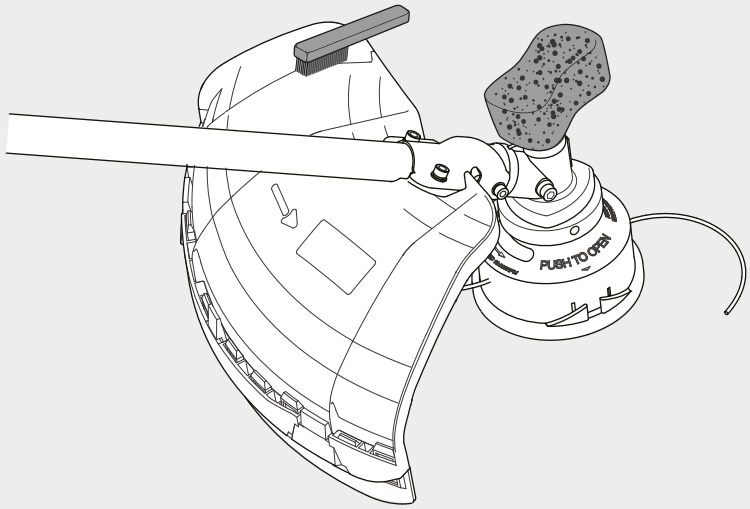


5.8

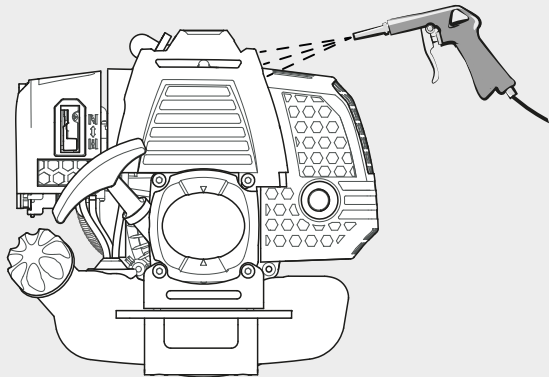


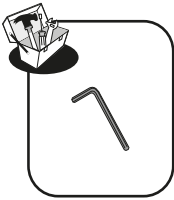


5.9

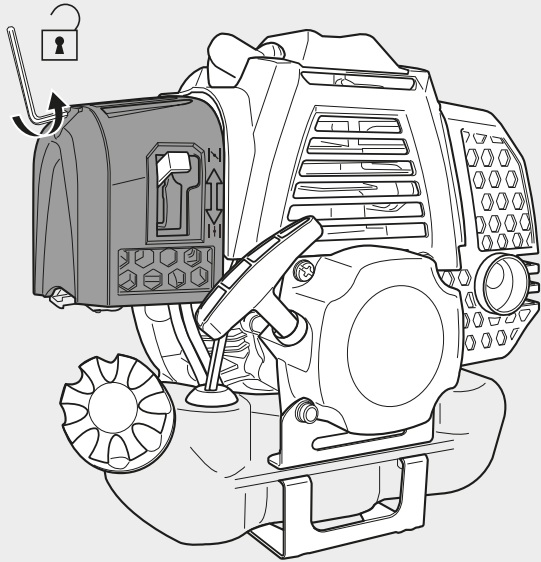


5.10

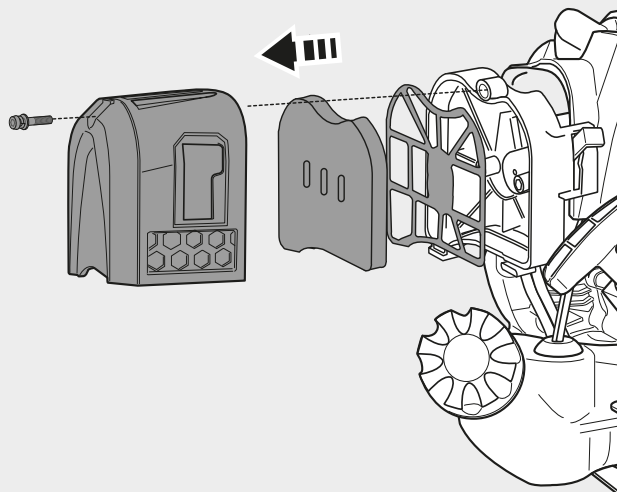


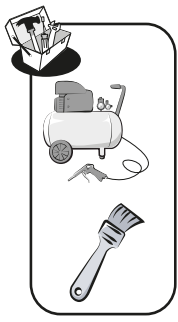


5.11

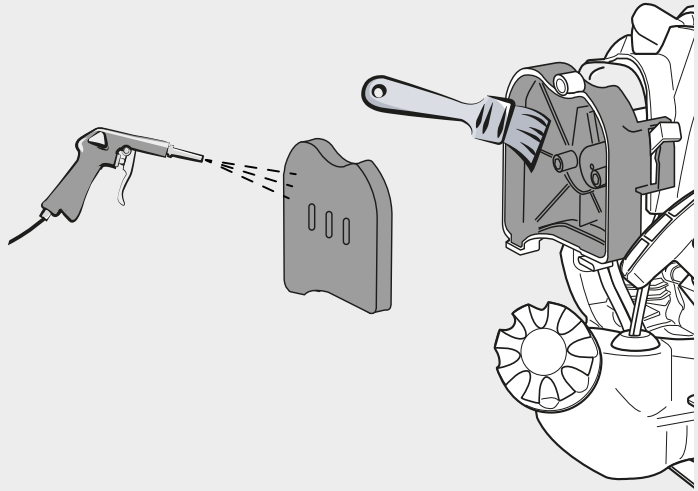


5.12

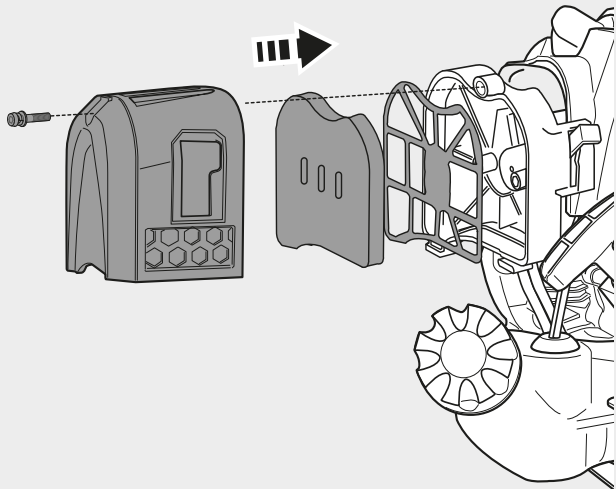




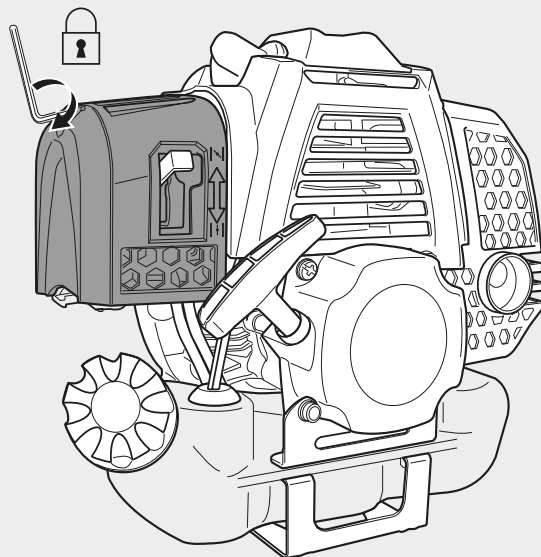
5.13



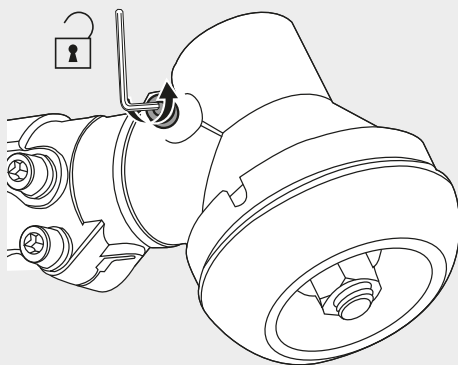
5.14

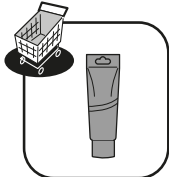


5.15

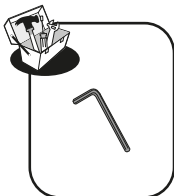
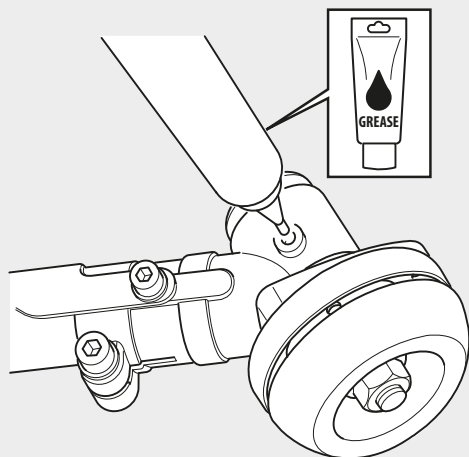


5.16

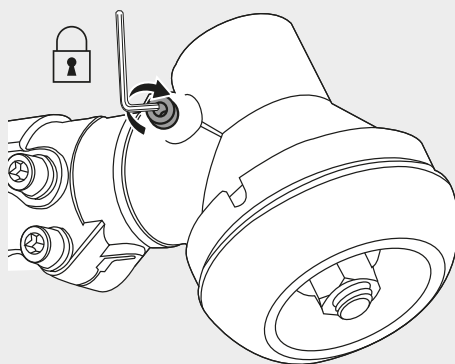


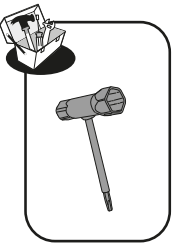


5.17



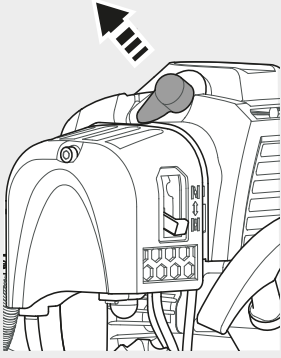
5.18





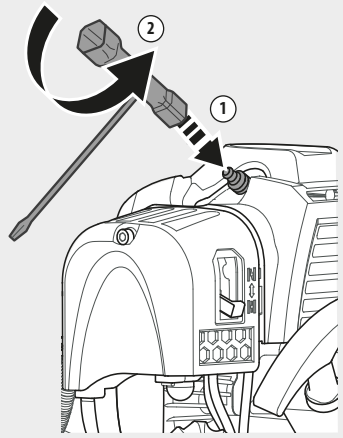
5.19

1

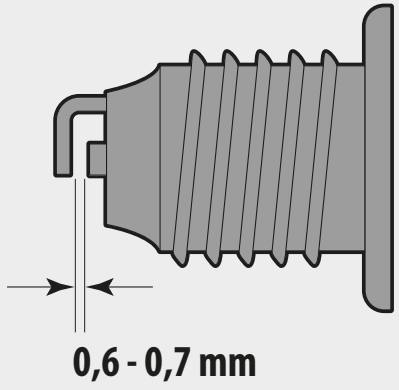


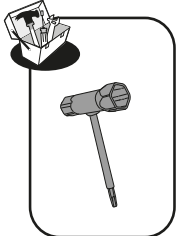
5.20

2



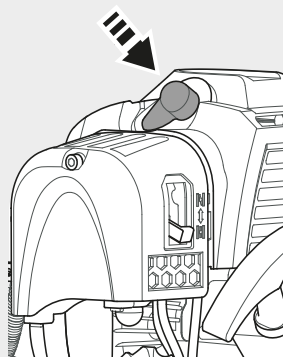
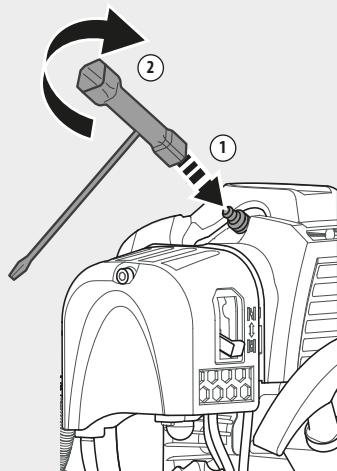
5.21





5.22

5

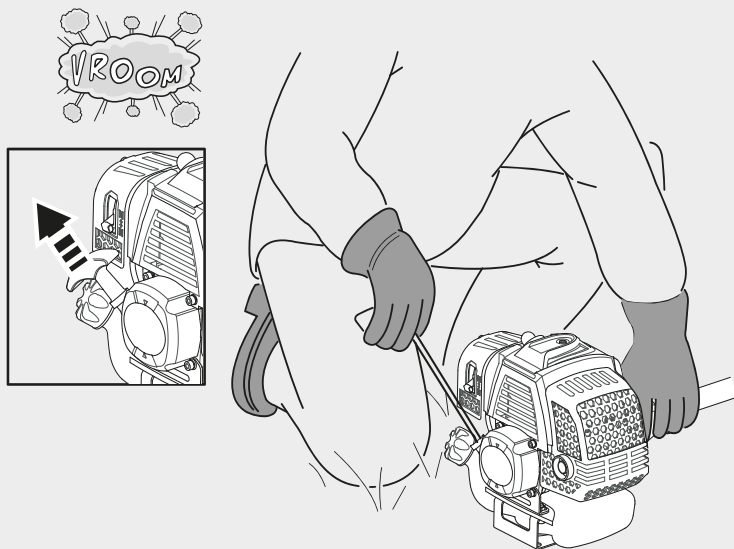




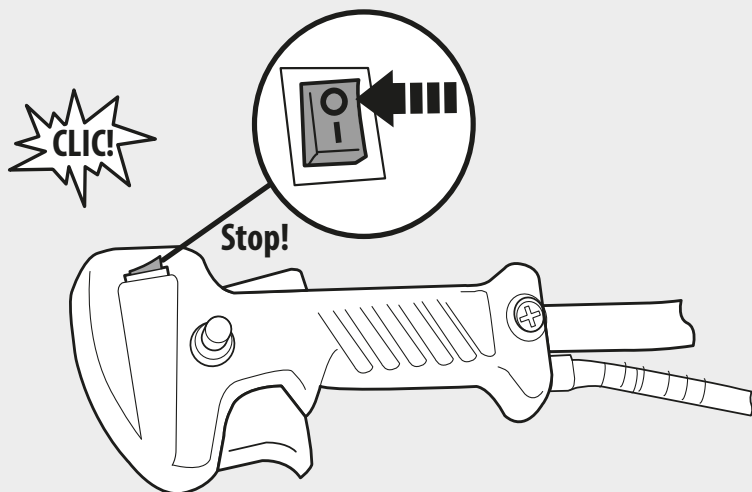
6.1



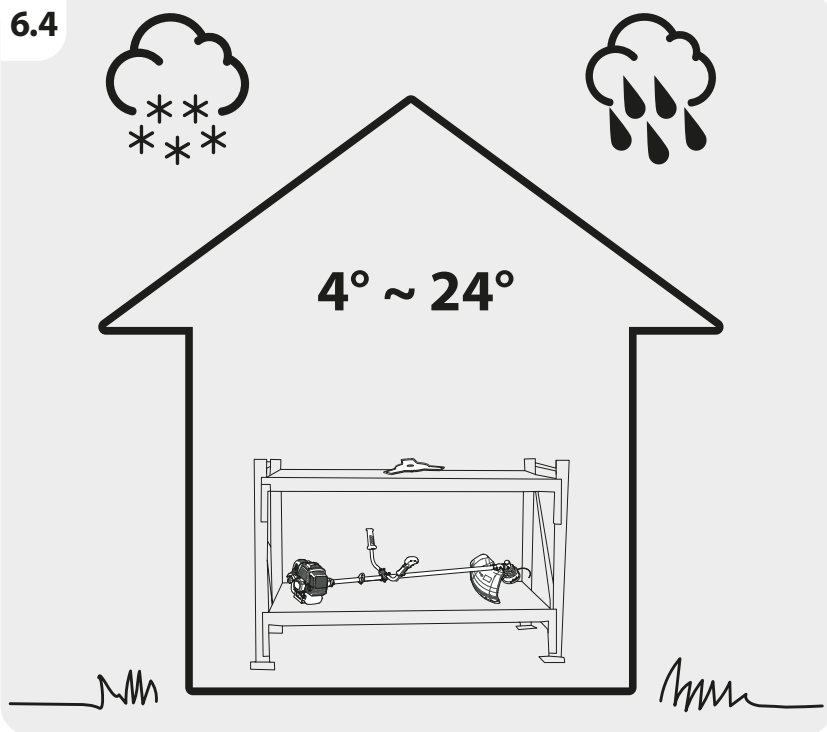
6.2



6.3



6.4



- RU** Ten produkt poddawany jest recyklingowi, kiedy przestaje być użyteczny należy dostarczyć go do punktu zbiórki odpadów.
Этот продукт может перерабатываться. Если он больше не пригоден для пользования, сдайте его в утилизационный центр.
- KZ** Бұл өнім қайта өңдеуге келеді. Оны әрі қолдануға болмайтын жағдайда, оны қайта өңдейтін орталыққа тапсыруыңызды өтінеміз
- EN** This product is recyclable. If it cannot be used anymore, please take it to waste recycling centre.



Made in China
Сделано в Китае
Қытайда жасалған



** Гарантия 3 года / Кепілдік 3 жыл / 3-year guarantee



ADEO:business name (Adeo Services)
Address (135, rue Sadi Carnot- CS 00001 59790- RON-
CHIN- France)

Импортер\Продавец\Лицо уполномоченное
принимать претензии по качеству товара:
на территории Российской Федерации, ООО
«ЛЕРУА МЕРЛЕН ВОСТОК», 141031, МО, г. Мытищи,
Осташковское шоссе, д.1, РФ

Импорртаушы / Тауардың сапасы бойынша
наразылықтарды қабылдауға өкілетті тұлға:

«Леруа Мерлен Қазақстан» ЖШС Қазақстан
Республикасы, 050000, Алматы қ., Қонаев көшесі, 77,
«ParkView» БО, 6к., 07-кеңсе

Импортер\Продавец\Лицо уполномоченное
принимать претензии по качеству товара :
ООО «Леруа Мерлен Бел», 220020, Республика
Беларусь, город Минск, проспект Победителей,
100, офис 503