



GB Electric Grass Trimmer

Instruction Manual

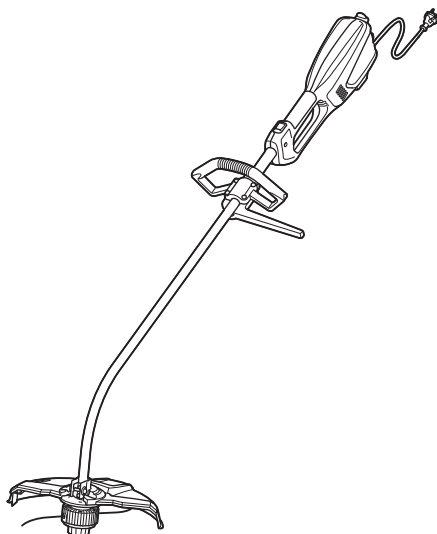
RUS Электрокоса

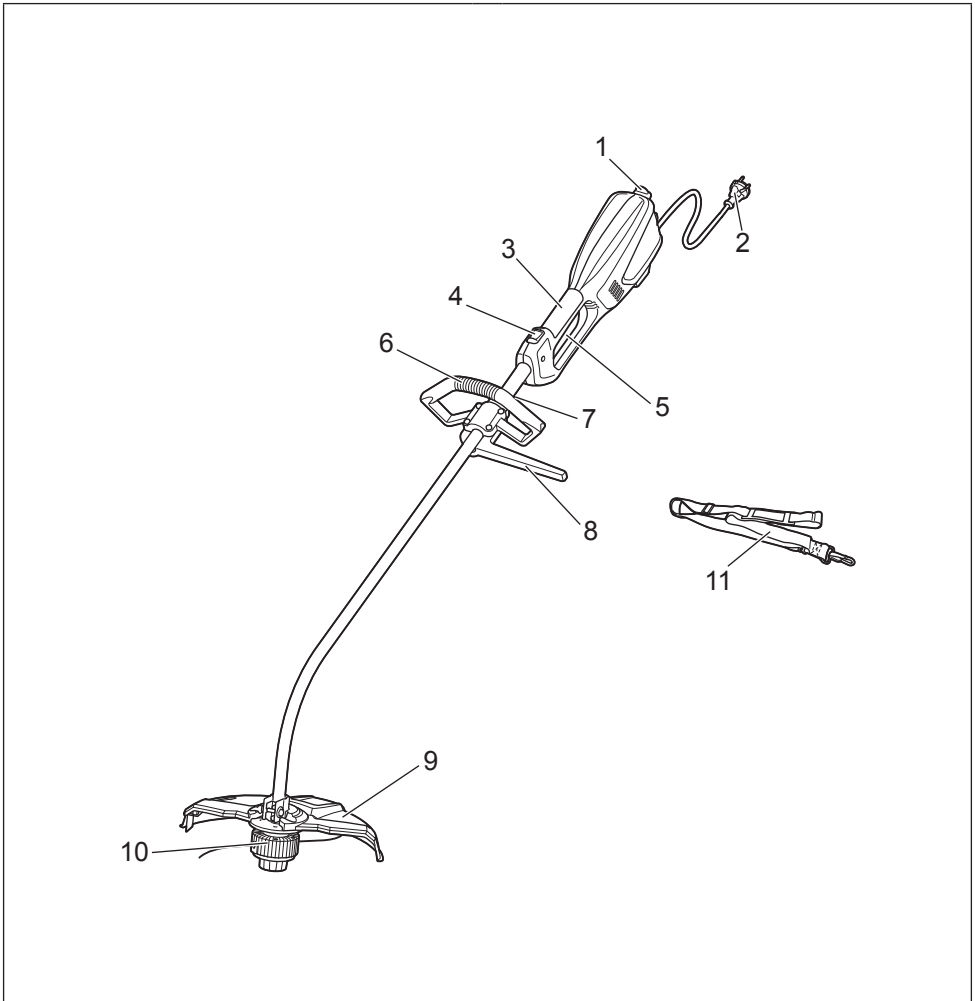
Инструкция по эксплуатации

UA Електротриммер

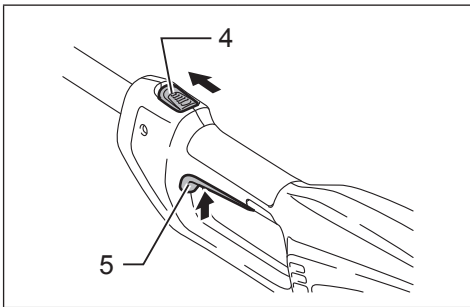
Інструкція з експлуатації

UR3500
UR3501

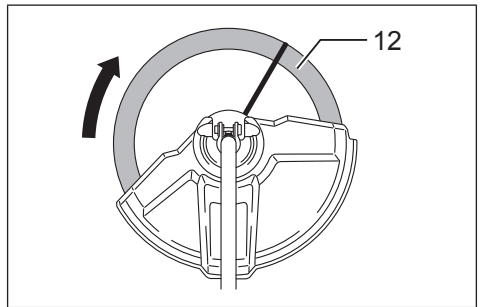




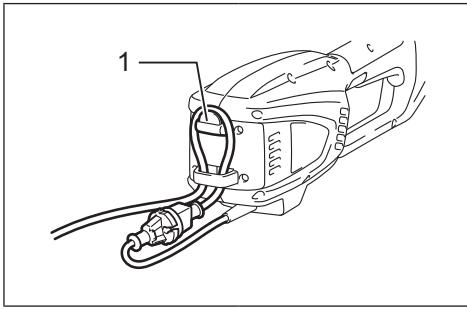
1



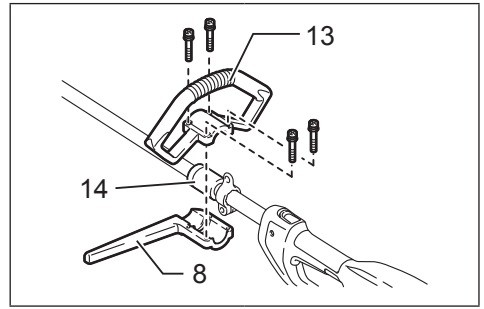
2



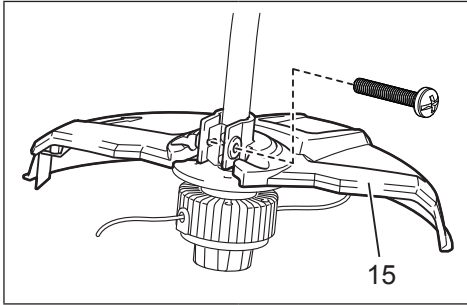
3



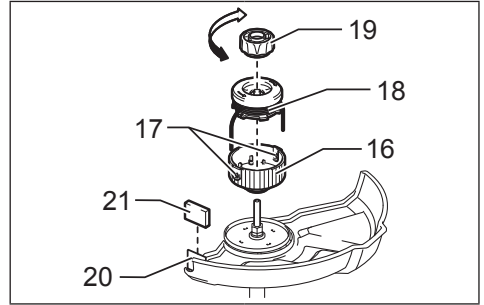
4



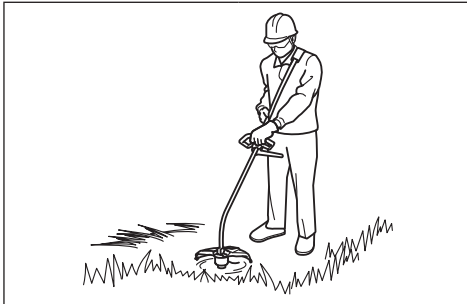
5



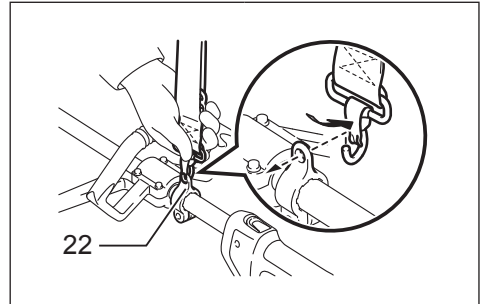
6



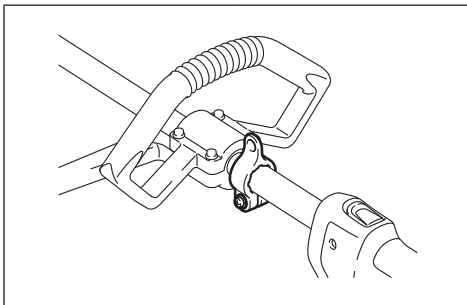
7



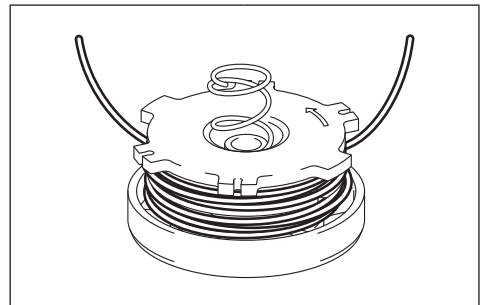
8



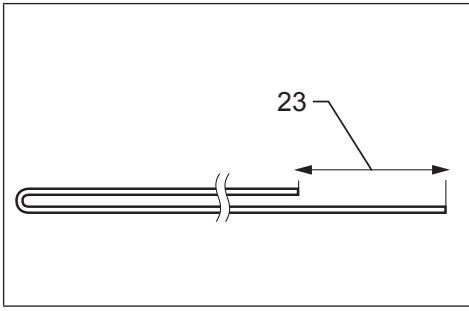
9



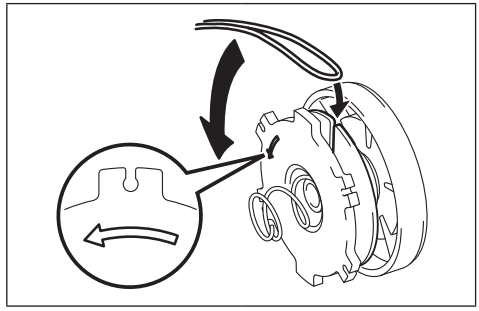
10



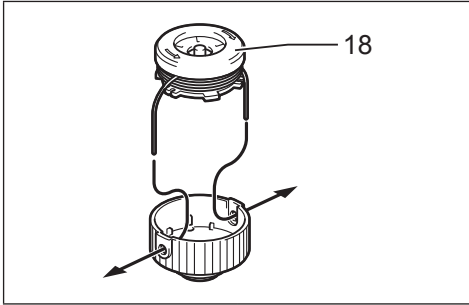
11



12



13



14

Explanation of general view

1 Cable holder	8 Barrier	17 Eyelets
2 Power supply cord (the shape may differ from country to country)	9 Cutting tool guard (protector)	18 Spool
3 Rear handle	10 Cutting tool	19 Lock screw
4 Lock-off lever	11 Shoulder harness	20 Cord cutter
5 Switch trigger	12 Most effective cutting area	21 Cover
6 Front handle	13 Handle	22 Hanger
7 Hanger (suspension point)	14 Rubber part	23 80 – 100 mm
	15 Protector	
	16 Cup	

SPECIFICATIONS

Model	UR3500	UR3501
Type of handle	Loop handle	
Overall length	1,550 mm	
Net weight	4.3 kg	4.3 kg
Continuous rating input	700 W	1000 W
No load speed	7,200 min ⁻¹	7,500 min ⁻¹
Applicable cutting tool	Nylon cutting head	
Cutting width	350 mm	
Safety class	□/II	

- Due to our continuing program of research and development, the specifications herein are subject to change without notice.
- Specifications may differ from country to country.
- Weight according to EPTA-Procedure 01/2003

Symbols

The following show the symbols used for the equipment. Be sure that you understand their meaning before use.



- Take particular care and attention.



- Read instruction manual.



- Danger; be aware of thrown objects.



- The distance between the tool and bystanders must be at least 15 m.



- Keep bystanders away.



- Wear a helmet, goggles and ear protection.



- Wear protective gloves.



- Wear sturdy boots with nonslip soles. Steeltoed safety boots are recommended.



- Do not expose to moisture.



- Disconnect the mains plug if the cord is damaged or entangled.

IMPORTANT SAFETY INSTRUCTIONS

⚠ WARNING! Read all safety warnings and all instructions. Failure to follow the warnings and instructions may result in electric shock, fire and/or serious injury.

Save all warnings and instructions for future reference.

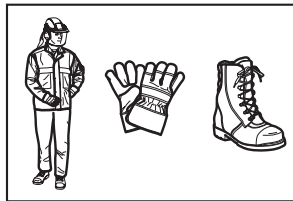
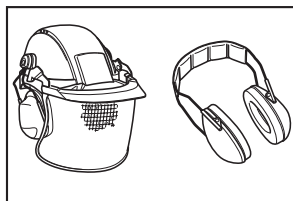
1. **Be familiar with the controls and proper use of the equipment.**
2. **Cutting elements continue to rotate after the motor is switched off.**
3. **Never allow children or people unfamiliar with the instructions to use the machine.**
4. **Stop using the machine while people, especially children, or pets are nearby.**
5. **Only use the machine in daylight or good artificial light.**
6. **Before using the machine and after any impact, check for signs of wear or damage and repair as necessary.**

7. Take care against injury from any device fitted for trimming the filament line length. After extending new cutter line always return the machine to its normal operating position before switching on.
8. Never fit metal cutting elements.
9. This appliance is not intended for use by persons (including children) with reduced physical, sensory or mental capabilities, or lack of experience and knowledge, unless they have been given supervision or instruction concerning use of the appliance by a person responsible for their safety. Children should be supervised to ensure that they do not play with the appliance.
10. Use the tool with the utmost care and attention.
11. Operate the tool only if you are in good physical condition. Perform all work calmly and carefully. Use common sense and keep in mind that the operator or user is responsible for accidents or hazards occurring to other people or their property.
12. Never operate the tool when tired, feeling ill or under the influence of alcohol or drugs.
13. The tool should be switched off immediately if it shows any signs of unusual operation.

Intended use of the tool

1. Use right tool. The electronic grass trimmer is only intended for cutting grass, light weeds. It should not be used for any other purpose such as hedge cutting as this may cause injury.

Personal protective equipment

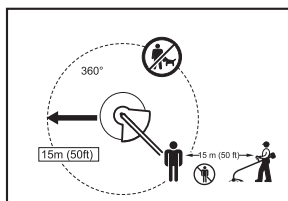


1. Dress Properly. The clothing worn should be functional and appropriate, i.e. it should be tight-fitting but not cause hindrance. Do not wear either jewelry or clothing which could become entangled with high grass. Wear protective hair covering to contain long hair.
2. When using the tool, always wear sturdy shoes with a non-slip sole. This protects against injuries and ensures a good footing.
3. Wear protective glasses or goggles.

Electrical safety

1. Avoid dangerous environment. Don't use the tool in damp or wet locations or expose it to rain. Water entering the tool will increase the risk of electric shock.
2. Power tool plugs must match the outlet. Never modify the plug in any way. Do not use any adapter plugs with earthed (grounded) power tools. Unmodified plugs and matching outlets will reduce risk of electric shock.
3. Avoid body contact with earthed or grounded surfaces such as pipes, radiators, ranges and refrigerators. There is an increased risk of electric shock if your body is earthed or grounded.
4. Do not abuse the cord. Never use the cord for carrying, pulling or unplugging the power tool. Keep cord away from heat, oil, sharp edges or moving parts. Damaged or entangled cords increase the risk of electric shock.
5. When operating a power tool outdoors, use an extension cord suitable for outdoor use. Use of a cord suitable for outdoor use reduces the risk of electric shock.
6. If operating a power tool in a damp location is unavoidable, use a residual current device (RCD) protected supply. Use of an RCD reduces the risk of electric shock.
7. Use of power supply via a RCD with a rated residual current of 30 mA or less is always recommended.
8. Before use, check the supply and extension cord for signs of damage or ageing.
9. If the cord becomes damaged during use, disconnect the cord from the supply immediately. **Do not touch the cord before disconnecting the supply.**
10. Do not use the tool if the cords are damaged or worn.
11. Keep extension cord away from cutting elements.

Starting up the tool



1. Make sure that there are no children or other people within a working range of 15 meters (50 ft), also pay attention to any animals in the working vicinity. Otherwise stop using the tool.
2. Before use always check that the tool is safe for operation. Check the security of the cutting tool and the guard and the switch trigger/lever for easy and proper action. Check for clean and dry handles and test the on/off function of the switch.

3. Check damaged parts before further use of the tool. A guard or other part that is damaged should be carefully checked to determine that it will operate properly and perform its intended function. Check for alignment of moving parts, binding of moving parts, breakage of parts, mounting, and any other condition that may affect its operation. A guard or other part that is damaged should be properly repaired or replaced by our authorized service center unless indicated elsewhere in this manual.
4. Switch on the motor only when hands and feet are away from the cutting tool.
5. Before starting make sure that the cutting tool has no contact with hard objects such as branches, stones etc. as the cutting tool will revolve when starting.

Method of operation

1. Never operate the machine with damaged guards or without the guards in place.
2. Only use the tool in good light and visibility. During the winter season beware of slippery or wet areas, ice and snow (risk of slipping). Always ensure a safe footing.
3. Take care against injury to feet and hands from the cutting tool.
4. Keep hands and feet away from the cutting means at all times and especially when switching on the motor.
5. Never cut above waist height.
6. Never stand on a ladder and run the tool.
7. Never work on unstable surfaces.
8. Don't overreach. Keep proper footing and balance at all times.
9. Remove sand, stones, nails etc. found within the working range. Foreign particles may damage the cutting tool and can cause to be thrown away, resulting in a serious injury.
10. Should the cutting tool hit stones or other hard objects, immediately switch off the motor and inspect the cutting tool.
11. Before commencing cutting, the cutting tool must have reached full working speed.
12. During operation always hold the tool with both hands. Never hold the tool with one hand during use. Always ensure a safe footing.
13. All protective equipment such as guards supplied with the tool must be used during operation.
14. Except in case of emergency, never drop or cast the tool to the ground or this may severely damage the tool.
15. Never drag the tool on the ground when moving from place to place, the tool may become damaged if moved in this manner.
16. Always withdraw the mains plug:
 - whenever leaving the tool unattended;
 - before clearing a blockage;
 - before checking, cleaning or working on the tool;
 - before making any adjustments, changing accessories or storing;
 - whenever the tool starts vibrating unusually;
 - whenever transporting the tool.
17. Don't force the tool. It will do the job better and with less likelihood of a risk of injury at the rate for which it was designed.

Maintenance instructions

1. The condition of the cutting tool, protective devices and shoulder strap must be checked before commencing work.
2. Turn off the motor and withdraw the mains plug before carrying out maintenance, replacing the cutting tool and cleaning the tool.
3. After use, withdraw the mains plug and check for damage.
4. Check for loose fasteners and damaged parts such as nearly halfway cut-off state in the cutting tool.
5. When not in use store the equipment in a dry location that is locked up or out of children's reach.
6. Use only the manufacturer's recommended replacement parts and accessories.
7. Always ensure that ventilation openings are kept clear of debris.
8. Inspect and maintain the tool regularly, especially before/after use. Have the tool repaired only by our authorized service center.
9. Keep handles dry, clean and free from oil and grease.

SAVE THESE INSTRUCTIONS.

⚠ WARNING:
 DO NOT let comfort or familiarity with product (gained from repeated use) replace strict adherence to safety rules for the subject product. MISUSE or failure to follow the safety rules stated in this instruction manual may cause serious personal injury.

PARTS DESCRIPTION (Fig. 1)

FUNCTIONAL DESCRIPTION

⚠ WARNING:
 • Always be sure that the tool is switched off and unplugged before adjusting or checking the functions on the tool. Failure to switch off and unplug may result in serious personal injury from accidental start-up.

Power switch action (Fig. 2)

⚠ WARNING:
 • Before plugging in, always check to see that the switch trigger actuates properly and returns to the "OFF" position when released. Do not pull the switch trigger hard without sliding the lock-off lever. This can cause switch breakage. Operating a tool with a switch that does not actuate properly can lead to loss of control and serious personal injury.

To prevent the switch trigger from being accidentally pulled, a lock-off lever is provided.

To start the tool, slide the lock-off lever forward and then pull the switch trigger. Release the switch trigger to stop.

Nylon cutting head (Fig. 3)

NOTICE:

- Do not attempt to bump feed the head while the tool is operating at a high RPM. Bump feeding at a high RPM may cause damage to the nylon cutting head.
- The bump feed will not operate properly if the head is not rotating.

The nylon cutting head is a dual grass trimmer head provided with a bump & feed mechanism.

To feed out the nylon cord, bump the cutting head against the ground while the cutting head is rotating.

NOTE:

- If the nylon cord does not feed out while bumping the head, rewind/replace the nylon cord by following the procedures described under "Maintenance."

Cable holder (Fig. 4)

Make a small loop of power cable, and hang it onto the cable holder.

ASSEMBLY

⚠ WARNING:

- **Always be sure that the tool is switched off and unplugged before carrying out any work on the tool.** Failure to switch off and unplug may result in serious personal injury from accidental start-up.
- **Never start the tool unless it is completely assembled.** Operation of the tool in a partially assembled state may result in serious personal injury from accidental start-up.

Installing the handle (Fig. 5)

⚠ WARNING:

- Do not remove or shrink the spacer. The spacer keeps a certain distance between both hands. Setting the grip/barrier assembly close to the other grip beyond the length of the spacer may cause loss of control and serious personal injury.

Fit the handle and the barrier onto the rubber part on the shaft pipe. Adjust the location of the handle, and then tighten them with four bolts.

Installing the protector (Fig. 6)

⚠ WARNING:

- **Never use the tool without the protector illustrated in place.** Failure to do so can cause serious personal injury.

⚠ CAUTION:

- Take care not to injure yourself on the cutter for cutting the nylon cord.
1. Fit the protector onto the shaft.
 2. Align the hole of the protector along the slit of the metal part on the shaft.
 3. Tighten them with the bolt.

Installing nylon cutting head (Fig. 7)

NOTICE:

- Be sure to use genuine nylon cutting head.

NOTE:

- Remove the cover on the cord cutter before use.

Turn the tool upside down so that you can replace the nylon cutting head easily.

1. Fit the cup onto the axis.

2. Put the nylon cords through the eyelets to come out of the cup.
3. Fit the spool on the axis.
4. Press the spool into the cup.
5. Hold the cup and the spool, and then tighten them with the lock screw by turning it clockwise.

To remove the nylon cutting head, turn the lock screw counterclockwise while holding the cup.

OPERATION

Correct handling of tool

Correct posture (Fig. 8)

⚠ WARNING:

- **Always position the tool on your right-hand side so that the barrier is always in front of your body.** Correct positioning of the tool allows for maximum control and will reduce the risk of serious personal injury.

⚠ CAUTION:

- **If during operation the nylon cutting head accidentally impacts a rock or hard object, stop the tool and inspect for any damage. If the nylon cutting head is damaged, replace it immediately.** Use of a damaged nylon cutting head could result in serious personal injury.

Put the shoulder harness on your left shoulder by putting your head and right arm through it and keep the tool on your right side while always keeping the barrier in front of your body.

Attachment of shoulder harness (Fig. 9)

Adjust the harness length so that the cutting tool is kept parallel with the ground.

Connect the hanger and the harness.

⚠ WARNING:

- **Be extremely careful to maintain control of the tool at all times. Do not allow the tool to be deflected toward you or anyone in the work vicinity.** Failure to keep control of the tool could result in serious injury to the bystander and the operator.

Adjustment of the hanger position and shoulder harness (Fig. 10)

To change the hanger position, loosen the bolt on the hanger. Then move the hanger.

After adjusting the hanger position, tighten the bolt with.

MAINTENANCE

⚠ WARNING:

- **Always be sure that the tool is switched off and unplugged before attempting to perform inspection or maintenance on the tool.** Failure to switch off and unplug may result in serious personal injury from accidental start-up.

NOTICE:

- Never use gasoline, benzene, thinner, alcohol or the like. Discoloration, deformation or cracks may result.

Replacing the nylon cord (Fig. 11)

WARNING:

- **Make sure that the nylon cutting head is secured to the tool properly before operation.** Failure to properly secure the nylon cutting head may cause it to fly apart resulting in serious personal injury.
1. Remove the lock screw by turning it counterclockwise.
 2. Remove the spool and the cup. And remove the old nylon cord from the spool.
 3. Cut a nylon cord in 3 – 6 m. Fold the cutting cord in two halves, leave one of half longer 80 – 100 mm than another. **(Fig. 12)**
 4. Hook the middle of the new nylon cord to the notch located at the center of the spool between the two channels provided for the nylon cord. **(Fig. 13)**
 5. Wind both ends firmly along the channels in the direction indicated by arrow mark on the spool.
 6. Install the nylon cutting head as described in this instruction manual. **(Fig. 14)**

To maintain product SAFETY and RELIABILITY, repairs, any other maintenance or adjustment should be performed by Makita Authorized Service Centers, always using Makita replacement parts.

TROUBLE SHOOTING

Before asking for repairs, conduct your own inspection first. If you find a problem that is not explained in the manual, do not attempt to dismantle the tool. Instead, ask Makita Authorized Service Centers, always using Makita replacement parts for repairs.

Malfunction status	Cause	Action
Motor does not run.	Power mains is not plugged in.	Plug in the mains.
	Power cable broken.	Ask your local authorized service center for repair.
	The drive system does not work correctly.	
Motor stops running after a little use.	Overheating.	Stop using of tool to allow it to cool down.
It does not reach maximum RPM.	The drive system does not work correctly.	Ask your local authorized service center for repair.
Cutting tool does not rotate: stop the machine immediately!	Foreign object such as a branch is jammed between the guard and the nylon cutting head.	Remove the foreign object.
	The drive system does not work correctly.	Ask your local authorized service center for repair.
Abnormal vibration: stop the machine immediately!	One end of the nylon cord has been broken.	Bump the nylon cutting head against the ground while it is rotating to cause the cord to feed.
	The drive system does not work correctly.	Ask your local authorized service center for repair.
Cutting tool and motor cannot stop: Disconnect the mains immediately!	Electric or electronic malfunction.	Disconnect the mains and ask your local authorized service center for repair.

OPTIONAL ACCESSORIES

CAUTION:

- These accessories or attachments are recommended for use with your Makita tool specified in this manual. The use of any other accessories or attachments might present a risk of injury to persons. Only use accessory or attachment for its stated purpose.

If you need any assistance for more details regarding these accessories, ask your local Makita Service Center.

- Nylon cutting head
- Nylon cord (cutting line)
- Shoulder harness

NOTE:

- Some items in the list may be included in the tool package as standard accessories. They may differ from country to country.

Объяснение общего вида

- | | | |
|--|---|-----------------------|
| 1 Держатель кабеля | 8 Ограничитель | 16 Колпак |
| 2 Шнур питания (форма может различаться в зависимости от страны) | 9 Кожух режущего инструмента (предохранитель) | 17 Ушки |
| 3 Задняя рукоятка | 10 Режущий инструмент | 18 Бобина |
| 4 Рычаг разблокировки | 11 Наплечное крепление | 19 Блокировочный винт |
| 5 Спусковой крючок | 12 Самая эффективная область резки | 20 Резак лески |
| 6 Передняя рукоятка | 13 Рукоятка | 21 Крышка |
| 7 Подвеска (точка подвешивания) | 14 Резиновая часть | 22 Подвеска |
| | 15 Предохранитель | 23 80 – 100 мм |

ТЕХНИЧЕСКИЕ ХАРАКТЕРИСТИКИ

Модель	UR3500	UR3501
Тип рукоятки	Петельная рукоятка	
Общая длина	1550 мм	
Вес нетто	4,3 кг	4,3 кг
Мощность при непрерывной работе	700 Вт	1000 Вт
Скорость без нагрузки	7200 мин ⁻¹	7500 мин ⁻¹
Применимый режущий инструмент	Нейлоновая режущая головка	
Ширина резки	350 мм	
Класс безопасности	II/II	

- Вследствие нашей постоянной программы исследования и развития приведенные технические характеристики могут быть изменены без уведомления.
- Технические характеристики могут различаться в зависимости от страны.
- Вес в соответствии с Процедурой ЕРТА 01/2003



- Используйте защитную каску, защитные очки и средства защиты слуха.



- Надевайте защитные рукавицы.

Символы

Ниже приведены символы, используемые для оборудования. Перед использованием убедитесь, что Вы понимаете их значение.



- Надевайте крепкую обувь с нескользящей подошвой. Рекомендуется крепкая надежная обувь.



- Будьте особенно аккуратны и внимательны.



- Не подвергайте воздействию влаги.



- Прочитайте руководство по эксплуатации.



- Отсоедините сетевую вилку, если шнур поврежден или запутан.



- Опасно; опасность летящих предметов.



- Расстояние между инструментом и окружающими лицами должно быть, по крайней мере, 15 м.



- Не допускайте окружающих лиц.

ВАЖНЫЕ ПРАВИЛА ТЕХНИКИ БЕЗОПАСНОСТИ

⚠ ПРЕДОСТЕРЕЖЕНИЕ! Прочитайте все предупреждения относительно безопасности и все инструкции. Несоблюдение предупреждений и инструкций может привести к поражению электрическим током, пожару и/или серьезной травме.

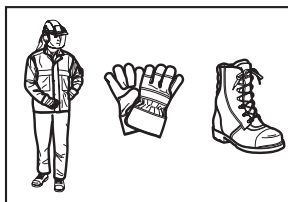
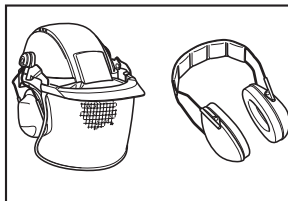
Сохраните все предупреждения и инструкции для дальнейшего использования.

1. Ознакомьтесь с органами управления и правильно используйте оборудование.
2. Режущие элементы продолжают вращаться после отключения мотора.
3. Ни в коем случае не разрешайте пользоваться механизмом детям или людям, не ознакомленным с инструкциями.
4. Прекратите пользоваться механизмом, пока рядом находятся люди, особенно дети, или домашние животные.
5. Используйте механизм только при дневном свете или хорошем искусственном освещении.
6. Перед использованием механизма или после любого удара проверьте следы износа или повреждения и при необходимости выполняйте ремонт.
7. Будьте осторожны, чтобы не получить травму от устройства для обрезки длины режущего волокна. После удлинения новой линии резки обязательно верните механизм в нормальное рабочее положение перед тем, как включать его.
8. Никогда не вставляйте металлические режущие элементы.
9. Данное приспособление не предназначено для использования лицами (включая детей) с ограниченными физическими, чувственными или умственными способностями, а также с недостаточным опытом или знаниями, за исключением случаев когда они находятся под наблюдением или получают указания относительно использования приспособления от лица, отвечающего за их безопасность. Дети должны находиться под присмотром, чтобы была уверенность, что они не играют с приспособлением.
10. Используйте инструмент с особой осторожностью и вниманием.
11. Работайте с инструментом, только если Вы находитесь в хорошем физическом состоянии. Выполняйте все работы спокойно и аккуратно. Используйте здравый смысл и имейте в виду, что оператор или пользователь несет ответственность за несчастные случаи и ущерб, нанесенные другим людям или их собственности.
12. Ни в коем случае не работайте с инструментом, если Вы устали, чувствуете недомогание или находитесь под воздействием алкоголя или лекарственных препаратов.
13. Инструмент необходимо немедленно выключить, если заметны любые признаки необычного функционирования.

Предполагаемое использование инструмента

1. Используйте правильно выбранный инструмент. Электронный триммер-травокосилка предназначен только для резки травы и негустых сорняков. Его не следует использовать для других целей, например, для стрижки живых изгородей, так как это может привести к травме.

Индивидуальное защитное оборудование



1. Одевайтесь соответствующим образом. Одежда должна быть функциональной и подходящей, то есть быть плотно прилегающей, но не стесняющей движения. Не надевайте украшения или одежду, которая может запутаться в высокой траве. Надевайте защитный головной убор, чтобы убрать длинные волосы.
2. При использовании инструмента обязательно надевайте крепкую обувь с нескользящей подошвой. Это защитит Вас от травм и обеспечит надежную опору для ног.
3. Надевайте защитные очки или щитки для глаз.

Правила электробезопасности

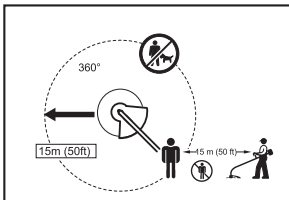
1. Избегайте опасной среды. Не используйте инструмент в сырых или мокрых местах, а также не оставляйте его под дождем. Попадание воды в инструмент увеличит опасность поражения электрическим током.
2. Штепсельные вилки инструмента должны соответствовать розетке. Никогда не модифицируйте штепсельную вилку. Не используйте никакие штепсель-переходники с заземленными (замкнутыми на землю) электрическими инструментами. Немодифицированные штепсельные вилки и соответствующие розетки уменьшают опасность поражения электрическим током.
3. Избегайте контакта тела с замкнутыми на землю или заземленными поверхностями, например, трубами, радиаторами, кухонными плитами и холодильниками. Опасность поражения электрическим током возрастает, если Ваше тело замкнуто на землю или заземлено.

- Не нарушайте правила эксплуатации шнура. Никогда не используйте шнур для переноски электрического инструмента, подтягивания или отсоединения его от сети. Держите шнур подальше от тепла, масла, острых углов или движущихся частей. Поврежденные или запутанные шнуры увеличивают опасность поражения электрическим током.
- При эксплуатации электрического инструмента на улице используйте удлинительный шнур, подходящий для наружного использования. Использование шнура, подходящего для наружного использования, уменьшает опасность поражения электрическим током.
- Если необходимо использовать электрический инструмент во влажном месте, используйте линию электропитания с устройством защиты по дифференциальному току (УЗО). Использование УЗО уменьшает опасность поражения электрическим током.
- Рекомендуется использовать линию электропитания через УЗО с номинальным остаточным током 30 мА или меньше.
- Перед использованием проверьте шнур питания и удлинительный шнур на наличие следов повреждения или износа.
- Если шнур повредился во время использования, немедленно отсоедините шнур от сети питания. Не прикасайтесь к шнуру до отсоединения от сети питания.
- Не используйте инструмент, если шнуры повреждены или изношены.
- Держите удлинительный шнур вдали от режущих элементов.
- Проверьте поврежденные детали перед дальнейшим использованием инструмента. Кожа или другие поврежденные детали должны быть внимательно проверены, чтобы понять, будут ли они работать надлежащим образом и выполнять предназначенную функцию. Проверьте ровность движущихся частей, сгибы движущихся частей, повреждение деталей, креплений и другие условия, которые могут оказывать влияние на работу. Кожа или другие поврежденные детали следует отремонтировать надлежащим образом или заменить в уполномоченном центре по техобслуживанию, если в данном руководстве не указано иное.
- Включайте мотор, только когда руки и ноги находятся на расстоянии от режущего инструмента.
- Перед запуском убедитесь, что режущий инструмент не соприкасается с твердыми предметами, например, с ветками, камнями и т.п., так как режущий инструмент будет вращаться при запуске.

Способ работы

- Ни в коем случае не управляйте механизмом с поврежденными кожухами или без установленных кожухов.
- Используйте инструмент только при хорошем освещении и видимости. В зимнее время избегайте скользких или мокрых мест, льда и снега (опасность скольжения). Обязательно убедитесь в хорошей опоре для ног.
- Принимайте меры против травмирования ног и рук режущим инструментом.
- Все время держите руки и ноги на расстоянии от обрезаемого материала и особенно при включении мотора.
- Никогда не выполняйте резку выше уровня пояса.
- Никогда не стойте на лестнице и не бегайте с инструментом.
- Никогда не работайте на неустойчивых поверхностях.
- Не перенапрягайтесь. Постоянно сохраняйте надлежащую устойчивость и равновесие.
- Уберите песок, камни, гвозди и т.п., найденные в пределах рабочей зоны. Посторонние предметы могут повредить режущий инструмент, кроме того их может отбросить в сторону, что вызовет серьезную травму.
- Если режущий инструмент ударится о камень или другой твердый предмет, немедленно выключите мотор и проверьте режущий инструмент.
- Перед началом резки режущий инструмент должен набрать полную рабочую скорость.
- Во время работы обязательно держите инструмент обеими руками. Никогда не держите инструмент одной рукой во время использования. Обязательно убедитесь в хорошей опоре для ног.
- Все защитное оборудование, например, кожухи, поставляемое с инструментом, должно использоваться во время работы.

Запуск инструмента



- Убедитесь, что в пределах рабочей области в 15 м нет детей и других людей, а также обратите внимание на наличие животных в зоне работы. В противном случае прекратите пользоваться инструментом.
- Перед использованием обязательно проверьте, что инструмент безопасен для работы. Проверьте надежность режущего инструмента и кожуха, а также легкость и правильность работы спускового крючка/рычага. Проверьте чистоту и сухость рукояток и протестируйте функцию включения/выключения переключателя.

14. За исключением чрезвычайных ситуаций никогда не роняйте и не бросайте инструмент на землю, так как это может серьезно повредить его.
15. Никогда не тащите инструмент по земле при перемещении с места на место, инструмент повредится при перемещении таким образом.
16. Обязательно отсоединяйте сетевую вилку:
 - когда инструмент остается без присмотра;
 - перед чистой засоров;
 - перед проверкой, чистой или работой с инструментом;
 - перед выполнением регулировок, заменой принадлежностей или помещением на хранение;
 - когда инструмент начинает необычно вибрировать;
 - когда инструмент перевозится.
17. Не перегружайте инструмент. Он будет выполнять работу лучше и с меньшей вероятностью травмы со скоростью, для которой он разработан.

Указания по техническому обслуживанию

1. Состояние режущего инструмента, защитных приспособлений и наплечного ремня должно проверяться перед началом работы.
2. Выключите мотор и отсоедините сетевую вилку перед выполнением технического обслуживания, заменой режущего инструмента и чистой инструмента.
3. После использования отсоедините сетевую вилку и проверьте ее на наличие повреждений.
4. Проверьте наличие раскрученных мест соединения или поврежденных частей, например, наполовину обрезанного режущего инструмента.
5. Когда инструмент не используется, храните его в закрытом сухом месте вне доступа детей.
6. Используйте только рекомендуемые производителем запасные детали и приспособления.
7. Обязательно убедитесь, что вентиляционные отверстия свободны от обрезков.
8. Регулярно проверяйте инструмент и выполняйте его техническое обслуживание, особенно до/после использования. Ремонт инструмента следует выполнять только в уполномоченном центре по техобслуживанию.
9. Сохраняйте рукоятки сухими, чистыми и свободными от масла и смазки.

СОХРАНИТЕ ЭТУ ИНСТРУКЦИЮ.

⚠ ПРЕДОСТЕРЕЖЕНИЕ:

НЕ позволяйте удобству или близкому знакомству с изделием (полученным в результате частого использования) заменить строгое соблюдение правил безопасности для указанного изделия. НЕПРАВИЛЬНОЕ ИСПОЛЬЗОВАНИЕ или несоблюдение правил безопасности, изложенных в этой инструкции по эксплуатации, может привести к серьезной травме.

ОПИСАНИЕ ЧАСТЕЙ (Рис. 1)

ОПИСАНИЕ ФУНКЦИОНИРОВАНИЯ

⚠ ПРЕДОСТЕРЕЖЕНИЕ:

- Следует всегда быть уверенным, что инструмент выключен и отсоединен от сети перед настройкой или проверкой функционирования инструмента. Если его не выключить и не отсоединить от сети, это может привести к серьезной травме из-за случайного запуска.

Операция включения питания (Рис. 2)

⚠ ПРЕДОСТЕРЕЖЕНИЕ:

- Перед подсоединением к сети всегда выполняйте проверку, чтобы увидеть, что спусковой крючок действует правильно и возвращается в положение "OFF" (выкл.) после высвобождения. Не тяните сильно спусковой крючок без сдвига рычага разблокировки. Это может привести к поломке переключателя. Работа с инструментом, когда переключатель функционирует ненадлежащим образом, может привести к потере контроля и серьезной травме.

Для предотвращения случайного нажатия спускового крючка предусмотрен рычаг разблокировки.

Чтобы запустить инструмент, сдвиньте рычаг разблокировки вперед, а затем потяните спусковой крючок. Для остановки высвободите спусковой крючок.

Нейлоновая режущая головка (Рис. 3)

ЗАМЕЧАНИЕ:

- Не пытайтесь ударом выполнять подачу головки, пока инструмент работает с на высоких оборотах. Подача ударом при высоких оборотах может привести к повреждению нейлоновой режущей головки.
- Подача ударом будет работать ненадлежащим образом, если головка не вращается.

Нейлоновая режущая головка представляет собой двойную головку для обрезания травы с механизмом удара и подачи.

Чтобы подавать нейлоновую леску, ударьте режущей головкой о землю, пока режущая головка вращается.

ПРИМЕЧАНИЕ:

- Если нейлоновая леска не подается при ударе головкой, перемотайте/замените нейлоновую леску в соответствии с процедурами, описанными в разделе "Техническое обслуживание".

Держатель кабеля (Рис. 4)

Сделайте небольшую петлю из кабеля питания и подвесьте его на держатель кабеля.

СБОРКА

⚠ ПРЕДОСТЕРЕЖЕНИЕ:

- Следует всегда быть уверенным, что инструмент выключен и отсоединен от сети перед выполнением любых работ с инструментом. Если его не выключить и не отсоединить от сети, это может привести к серьезной травме из-за случайного запуска.
- Никогда не запускайте инструмент, если он не полностью собран. Работа инструмента в частично собранном состоянии может привести к серьезной травме из-за случайного запуска.

Установка рукоятки (Рис. 5)

⚠ ПРЕДОСТЕРЕЖЕНИЕ:

- Не извлекайте и не уменьшайте распорку. Распорка поддерживает определенное расстояние между обеими руками. Установка узла захвата/ограничителя рядом с другим захватом за длинной распоркой может привести к потере контроля и серьезной травме.

Установите рукоятку и ограничитель на резиновую часть на трубе вала. Отрегулируйте положение рукоятки, а затем закрепите ее четырьмя болтами.

Установка предохранителя (Рис. 6)

⚠ ПРЕДОСТЕРЕЖЕНИЕ:

- Никогда не используйте инструмент без предохранителя, установленного на месте. Несоблюдение этого требования может привести к серьезной травме.

⚠ ПРЕДУПРЕЖДЕНИЕ:

- Будьте внимательны, чтобы не нанести себе травму резаком для резки нейлоновой лески.
1. Установите предохранитель на вал.
 2. Совместите отверстие на предохранителе с прорезью на металлической части вала.
 3. Закрепите их болтом.

Установка нейлоновой режущей головки (Рис. 7)

ЗАМЕЧАНИЕ:

- Обязательно используйте оригинальную нейлоновую режущую головку.

ПРИМЕЧАНИЕ:

- Удалите крышку на резаке лески перед использованием.

Поверните инструмент нижней частью вверх, так чтобы Вы могли легко заменить нейлоновую режущую головку.

1. Установите колпак на ось.
2. Пропустите нейлоновые лески через ушки, чтобы они вышли из колпака.
3. Установите бобину на ось.
4. Нажмите бобину на колпак.
5. Держите колпак и бобину, а затем закрепите их блокировочным винтом, поворачивая по часовой стрелке.

Чтобы удалить нейлоновую режущую головку, поворачивайте блокировочный винт против часовой стрелки, удерживая колпак.

ЭКСПЛУАТАЦИЯ

Правильное обращение с инструментом

Правильное положение (Рис. 8)

⚠ ПРЕДОСТЕРЕЖЕНИЕ:

- Обязательно располагайте инструмент со стороны Вашей правой руки, чтобы ограничитель всегда был перед телом. Правильное расположение инструмента обеспечивает максимальный контроль и уменьшает опасность серьезных травм.

⚠ ПРЕДУПРЕЖДЕНИЕ:

- Если во время работы нейлоновая режущая головка неожиданно ударится о каменный или твердый предмет, остановите инструмент и проверьте на наличие повреждений. Если нейлоновая режущая головка повреждена, немедленно замените ее. Использование поврежденной нейлоновой режущей головки может привести к серьезной травме.

Поместите наплечное крепление на левое плечо, продев голову и правую руку сквозь него, и держите инструмент с правой стороны, обязательно с ограничителем перед телом.

Прикрепление наплечного крепления (Рис. 9)

Отрегулируйте длину крепления, чтобы режущий инструмент располагался параллельно земле.

Прикрепите подвеску и крепление.

⚠ ПРЕДОСТЕРЕЖЕНИЕ:

- Будьте особенно внимательны, чтобы обеспечивать постоянный контроль над инструментом. Не позволяйте инструменту отклоняться в Вашу сторону или в сторону других людей в рабочей зоне. Отсутствие постоянного контроля над инструментом может привести к серьезным травмам окружающих людей и оператора.

Регулировка положения подвески и наплечного крепления (Рис. 10)

Чтобы изменить положение подвески, открутите болт на подвеске. Затем перемещайте подвеску. После регулировки положения подвески закрепите с помощью болта.

ТЕХНИЧЕСКОЕ ОБСЛУЖИВАНИЕ

⚠ ПРЕДОСТЕРЕЖЕНИЕ:

- Следует всегда быть уверенным, что инструмент выключен и отсоединен от сети перед выполнением проверки или технического обслуживания инструмента. Если его не выключить и не отсоединить от сети, это может привести к серьезной травме из-за случайного запуска.

ЗАМЕЧАНИЕ:

- Ни в коем случае не используйте бензин, бензолин, растворители, спирт и подобные вещества. Это может привести к обесцвечиванию, деформации или появлению трещин.

Замена нейлоновой лески (Рис. 11)

ПРЕДОСТЕРЕЖЕНИЕ:

• **Перед работой убедитесь, что нейлоновая режущая головка надлежащим образом прикреплена к инструменту.** Ненадлежащее прикрепление нейлоновой режущей головки может привести к тому, что она отлетит, вызывая серьезные травмы.

1. Удалите блокировочный винт, поворачивая его против часовой стрелки.
2. Удалите бобину и колпак. Затем удалите старую нейлоновую леску из бобины.
3. Нарежьте нейлоновую леску на куски по 3 – 6 м. Сверните разрезанную леску на две половины, оставляя одну половину на 80 – 100 мм длинее другой. **(Рис. 12)**
4. Прикрепите середину нового нейлоновой лески к зубцу, расположенную в центре бобины между двумя каналами, предназначенными для нейлоновой лески. **(Рис. 13)**
5. Надежно проложите оба конца вдоль канала в направлении, указанном меткой со стрелкой на бобине.
6. Установите нейлоновую режущую головку, как описано в данном руководстве по эксплуатации. **(Рис. 14)**

Для БЕЗОПАСНОЙ и НАДЕЖНОЙ эксплуатации изделия ремонт, любое другое обслуживание или регулировка должны проводиться в уполномоченных центрах по техобслуживанию Makita, всегда используя запасные части Makita.

ПОИСК И УСТРАНЕНИЕ НЕИСПРАВНОСТЕЙ

Перед обращением за ремонтом сначала проведите самостоятельную проверку. Если Вы обнаружили проблему, которая не описана в руководстве, не пытайтесь разбирать инструмент. Вместо этого обратитесь за ремонтом в уполномоченный центр по техобслуживанию Makita с обязательным использованием запасных частей Makita.

Состояние неисправности	Причина	Действие
Мотор не работает.	Сетевая розетка не подключена.	Подключите к сетевой розетке.
	Поврежден кабель питания.	Обратитесь за ремонтом в Ваш местный уполномоченный центр по техобслуживанию.
	Приводной механизм работает неправильно.	
Мотор прекращает работать после кратковременного использования.	Перегрев.	Прекратите использование инструмента, чтобы дать ему охладиться.
Не достигается максимальное количество оборотов.	Приводной механизм работает неправильно.	Обратитесь за ремонтом в Ваш местный уполномоченный центр по техобслуживанию.
Режущий инструмент не вращается: немедленно остановите механизм!	Посторонний предмет, например, ветка, зажат между кожухом и нейлоновой режущей головкой.	Удалите посторонний предмет.
	Приводной механизм работает неправильно.	Обратитесь за ремонтом в Ваш местный уполномоченный центр по техобслуживанию.
Ненормальная вибрация: немедленно остановите механизм!	Один конец нейлоновой лески поврежден.	Ударьте нейлоновую режущую головку о землю, пока она вращается, чтобы вызвать подачу лески.
	Приводной механизм работает неправильно.	Обратитесь за ремонтом в Ваш местный уполномоченный центр по техобслуживанию.
Невозможно остановить режущий инструмент и мотор: Немедленно отсоедините от сети!	Электрическая или электронная неисправность.	Отсоедините от сети и обратитесь за ремонтом в Ваш местный уполномоченный центр по техобслуживанию.

ДОПОЛНИТЕЛЬНЫЕ ПРИНАДЛЕЖНОСТИ

ПРЕДУПРЕЖДЕНИЕ:

• Эти принадлежности или приспособления рекомендуются для использования с Вашим инструментом Makita, указанным в руководстве. Использование любых других принадлежностей или приспособлений может привести к травме. Используйте принадлежности или приспособления только для указанных целей.

Если Вам необходима какая-либо помощь относительно дальнейших подробностей об этих принадлежностях, обращайтесь в Ваш местный центр по техобслуживанию Makita.

- Нейлоновая режущая головка
- Нейлоновая леска (линия резки)
- Наплечное крепление

ПРИМЕЧАНИЕ:

• Некоторые пункты в списке могут быть включены в комплект поставки инструмента как стандартные принадлежности. Они могут различаться в зависимости от страны.

Пояснення до загального вигляду

1 Тримач шнура	8 Бар'єр	15 Захист
2 Шнур живлення (форма може відрізнятись в залежності від країни)	9 Захисний кожух різального інструмента (захист)	16 Ковпачок
3 Задня ручка	10 Різальний інструмент	17 Вушка
4 Важіль блокування	11 Плечовий ремінь	18 Котушка
5 Пусковий курок	12 Найбільш ефективна різальна частина	19 Стопорний гвинт
6 Передня ручка	13 Ручка	20 Кордовий ніж
7 Підвіс (точка підвішування)	14 Гумова частина	21 Кришка
		22 Підвіс
		23 80 – 100 мм

ТЕХНІЧНІ ХАРАКТЕРИСТИКИ

Модель	UR3500	UR3501
Тип ручки	Ручка-скоба	
Загальна довжина	1550 мм	
Вага нетто	4,3 кг	4,3 кг
Номінальна потужність при безперервній роботі	700 Вт	1000 Вт
Оберти холостого ходу	7200 хв ⁻¹	7500 хв ⁻¹
Встановлений різальний інструмент	Тримерна головка з нейлоновим кордом	
Ширина підстригання	350 мм	
Клас безпеки	□ / II	

- У зв'язку з постійно діючою програмою дослідження та розробки наведені технічні характеристики можуть змінюватися без повідомлення.
- Технічні характеристики можуть відрізнятись в залежності від країни.
- Вага відповідає стандартам EPTA від 01/2003

Символи

Нижче наводяться символи, які можна знайти на цьому обладнанні. Обов'язково ознайомтесь із ними, перш ніж починати роботу.

-  • Будьте особливо обережні та уважні.
-  • Прочитайте керівництво.
-  • Небезпека; усвідомлюйте можливість розкидання предметів.
-  • Відстань між інструментом та сторонніми особами має становити не менше 15 метрів.
-  • Не дозволяйте стороннім особам наблизитися.
-  • Надягайте шолом, захисні окуляри та застосовуйте захист органів слуху.



- Надягайте захисні рукавички.



- Надягайте міцне взуття із нековзною підошвою. Рекомендовано використовувати захисне взуття із сталевими носками.



- Бережіть від вологи.



- Якщо шнур пошкоджено або перекручено, вимкніть інструмент з розетки.

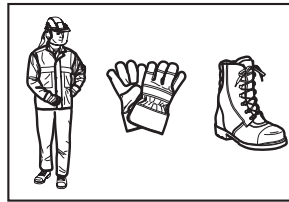
ВАЖЛИВІ ЗАХОДИ БЕЗПЕКИ

⚠ ПОПЕРЕДЖЕННЯ! Прочитайте усі застереження та інструкції. Недотримання застережень та інструкцій може призвести до ураження електричним струмом, займання та/або тяжкої травми.

Збережіть усі застереження та інструкції для подальшого використання.

1. Ознайомтесь із засобами керування та інструкціями щодо належного використання обладнання.
2. Після вимикання двигуна різальні елементи продовжують обертатись.
3. Ніколи не дозволяйте користуватися машиною дітям або особам, які не ознайомилися з інструкціями.

4. Припиняйте користуватися машиною, якщо поряд знаходяться люди, особливо діти, або домашні тварини.
5. Використовуйте машину лише за денного освітлення або достатнього штучного освітлення.
6. Перш ніж користуватися машиною та після кожного зіткнення, перевіряйте її на наявність зношення або uszkodження, та ремонтуйте, якщо необхідно.
7. Забезпечте захист, щоб не отримати травму через будь-який пристрій, встановлений для обрізання корду. Після натягнення нового тримерного корду повертайте машину до нормального робочого положення, перш ніж вмикати її.
8. Ніколи не встановлюйте металеві ріжучі елементи.
9. Забороняється користуватися даним інструментом особам (включаючи дітей) з обмеженими фізичними та розумовими здібностями, а також особам з браком досвіду, окрім як під наглядом або після отримання інструкцій щодо використання даного приладу, проведеного особами, відповідальними за їх безпеку. Слідкуйте, щоб діти не гралися із інструментом.
10. Використовуйте інструмент із максимальною обережністю та уважністю.
11. Користуйтеся інструментом лише за умови доброго фізичного стану. Усі роботи слід виконувати спокійно та обережно. Керуйтеся здоровим глуздом та пам'ятайте, що саме оператор чи користувач несе відповідальність за завдання шкоди іншим людям або їх власності.
12. Ніколи не користуйтеся інструментом, якщо відчуваєте втому, захворіли або знаходитесь під впливом алкоголю чи наркотичних речовин.
13. Якщо інструмент показує будь-які ознаки незвичної роботи, негайно вимикайте його.



1. Одягайтесь належним чином. Одяг має бути функціональним та відповідним, тобто щільно прилягати, проте не заважати рухам. Не одягайте прикраси або одяг, що може заплутатися у високій траві. Довге волосся слід сховати під сіткою для волосся.
2. Під час використання інструмента завжди носіть міцне взуття із нековзною підшвою. Це захищає від травм та забезпечує стійкість.
3. Одягайте захисні окуляри або маску.

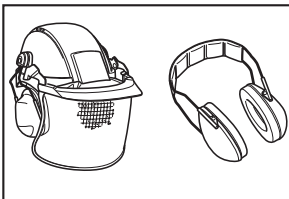
Електрична безпека

1. Не працюйте у небезпечних умовах. Не використовуйте інструмент на вологій або мокрій ділянці, чи під дощем. Потрапання всередину інструменту води призводить до підвищення ризику ураження електричним струмом.
2. Вилка електроінструменту має відповідати розетці. Ніколи не змінюйте вилку. Не використовуйте жодні перехідні вилки із заземленими електроінструментами. Використання не вивідрених вилок та відповідних розеток дозволяє зменшити ризик ураження електричним струмом.
3. Не торкайтесь поверхню заземлення, таких як труби, батареї, стени та холодильники. Якщо ваше тіло заземлене, існує підвищений ризик ураження електричним струмом.
4. Бережіть шнур від uszkodжень. Ніколи не використовуйте шнур, щоб переносити, тягнути або вимикати електроінструмент з розетки. Не підносьте шнур до джерел тепла, масла, гострих країв та рухомих деталей. Пошкодження або перекручування шнура створює підвищений ризик ураження електричним струмом.
5. Якщо електроінструмент застосовується на вулиці, користуйтеся шнуром-подовжувачем, призначеним для вулиці. Використання шнура, призначеного для вулиці, зменшує ризик ураження електричним струмом.
6. Якщо використання електроінструменту у вологих умовах неможливо уникнути, використовуйте із джерелом живлення пристрій захисного відключення (ПЗВ). Використання ПЗВ зменшує ризик ураження електричним струмом.
7. Джерело живлення має бути обладнане ПЗВ із номінальним залишковим струмом 30 мА або менше.
8. Перш ніж користуватися, перевірте шнур живлення та шнур-подовжувач на наявність пошкодження або старіння.
9. Якщо шнур пошкоджується під час використання, негайно від'єднайте шнур від джерела живлення. Не торкайтесь шнура, перш ніж не від'єднаєте його від джерела живлення.

Передбачене використання інструменту

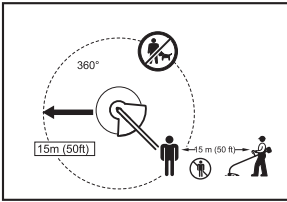
1. Використовуйте належний інструмент. Електротример призначений лише для підстригання трави та незначного бур'яну. Його не слід використовувати для будь-яких інших цілей, таких як підстригання живої горожі, оскільки це може призвести до травмування.

Засоби індивідуального захисту



- Не використовуйте інструмент, якщо шнури пошкоджені або зношені.
- Тримайте шнур-подовжувач подалі від різальних елементів.

Запуск інструменту



- Переконайтесь, що у межах робочої відстані, що становить 15 метрів, немає дітей та інших осіб, та слідкуйте, щоб поблизу не було тварин. Інакше припиніть користуватися інструментом.
- Перш ніж починати роботу, переконайтесь, що інструмент безпечний. Перевірте кріплення різального інструмента і захисний кожух, а також легкість та правильність роботи пускового курка/важеля. Переконайтесь, що ручки чисті та сухі, та перевірте функцію увімкнення/вимкнення пускового курка.
- Перш ніж користуватися інструментом, перевірте його на наявність пошкоджених деталей. Захисний кожух або іншу деталь, яку було пошкоджено, треба ретельно перевірити та визначити, чи зможе вона працювати належним чином і виконувати свою функцію. Перевірте вирівнювання та об'язування рухомих частин, пошкодження деталей, правильність встановлення та інше, що може вплинути на їх роботу. Захисний кожух або іншу деталь, яку було пошкоджено, треба належним чином відремонтувати або замінити у нашому офіційному сервісному центрі, якщо у даному керівництві не вказано інакше.
- Вмикайте двигун, лише якщо руки та ноги знаходяться на віддалі від різального інструмента.
- Перш ніж вмикати, переконайтесь, що різальний інструмент не торкається твердих предметів, як-от гілок, каменів тощо, оскільки після увімкнення різальний інструмент починає обертатись.

Порядок експлуатації

- Ніколи не використовуйте машину, якщо захисний кожух пошкоджено або не встановлено.
- Використовуйте інструмент лише за наявності доброго освітлення та видимості. Узимку будьте обережні зі слизькими або мокрими ділянками, льодом та снігом (можна ослизнутися). Завжди займайте стійке положення.
- Будьте обережні, щоб не травмувати ноги та руки різальним інструментом.
- Завжди тримайте руки та ноги подалі від різального інструмента, а особливо під час увімкнення двигуна.

- Ніколи не різте на висоті вище пояса.
- Ніколи не користуйтеся інструментом, коли стоїте на драбині.
- Ніколи не працюйте на нестійкій поверхні.
- Ніколи не тягніться. Завжди стійте упевнено та збалансовано.
- Приберіть з робочої зони пісок, камені, цвяхи тощо. Сторонні предмети можуть пошкодити різальний інструмент або бути відкинутими та завдати тяжку травму.
- Якщо різальний інструмент натрапить на камені або інші тверді предмети, негайно вимкніть двигун та перевірте різальний інструмент.
- Перш ніж починати косити, різальний інструмент має досягти повної робочої швидкості.
- Під час роботи завжди тримайте інструмент обома руками. Ніколи не тримайте інструмент однією рукою під час використання. Завжди займайте стійке положення.
- Під час роботи завжди використовуйте усе захисне устаткування, як-от захисний кожух, що постачається із інструментом.
- Ніколи не кидайте інструмент на землю, окрім екстреної ситуації, оскільки це може сильно пошкодити інструмент.
- Ніколи не тягніть інструмент по землі, коли переходите від одного місця до іншого, оскільки при такому способі перенесення інструмент може пошкодитися.
- Завжди вимикайте вилку з розетки:
 - коли залишаєте пристрій без нагляду;
 - перш ніж усувати засмічення;
 - перш ніж перевіряти, чистити або розбирати інструмент;
 - перш ніж робити будь-які налаштування, замінювати аксесуари або складати на зберігання;
 - коли інструмент починає незвично вібрувати;
 - коли переносите інструмент.
- Не перенапружуйте інструмент. Він працюватиме краще, та вірогідність завдання травми буде нижче, якщо використовувати інструмент відповідно до його характеристик.

Інструкції з технічного обслуговування

- Перш ніж починати роботу, необхідно перевірити стан різального інструмента, захисних засобів та плечевого ремня.
- Вимкніть двигун та вимкніть вилку з розетки, перш ніж здійснювати технічне обслуговування, замінювати різальний інструмент або чистити інструмент.
- Після використання вимкніть вилку із розетки та перевірте інструмент на наявність пошкоджень.
- Перевірте надійність кріплень та наявність пошкоджених деталей, як-от майже наполовину перерізаний різальний інструмент.
- Коли інструмент не використовується, зберігайте його у сухому приміщенні, що замикається та є недоступним для дітей.
- Використовуйте лише ті запасні деталі та аксесуари, які рекомендуються виробником.

7. Завжди слідкуйте, щоб вентиляційні отвори були чисті від сміття.
8. Регулярно оглядайте та здійснюйте технічне обслуговування інструменту, особливо до та після використання. Для ремонту інструменту звертайтеся лише до нашого офіційного сервісного центра.
9. Слідкуйте за тим, щоб ручки були сухі, чисті й не забруднені маслом та мастилом.

ЗБЕРІГАЙТЕ ЦІ ІНСТРУКЦІЇ.

⚠ ПОПЕРЕДЖЕННЯ:

НЕ ДОЗВОЛЯЙТЕ розслабленості або панібратству із виробом (що набувається через регулярне використання) замінити чітке дотримання правил безпеки щодо даного виробу. **НЕНАЛЕЖНЕ ВИКОРИСТАННЯ** або недотримання викладених у даному керівництві правил безпеки може призвести до тяжкої травми.

ОПИС ДЕТАЛЕЙ (мал. 1)

ОПИС ФУНКЦІОНУВАННЯ

⚠ ПОПЕРЕДЖЕННЯ:

- Перш ніж коригувати або перевіряти функції інструменту, завжди упевніться, що інструмент вимкнений та відключений від розетки. Якщо інструмент не вимкнути та не відключити від розетки, це може призвести до тяжкої травми через випадковий запуск.

Робота пускового курка (мал. 2)

⚠ ПОПЕРЕДЖЕННЯ:

- Перш ніж вмикати вилку в розетку, завжди перевіряйте, що пусковий курок працює належно та повертається у положення вимкнення, якщо його відпустити. Не тягніть сильно за пусковий курок, не перевіши спочатку важіль блокування. Це може призвести до пошкодження курка. Робота із пристроєм із курком, що працює неналежним чином, може призвести до втрати контролю та тяжкої травми.

Для попередження випадкового спрацювання пускового курка на інструменті передбачено важіль блокування.

Щоб запустити інструмент, переведіть важіль блокування вперед та потягніть пусковий курок. Відпустіть пусковий курок, щоб зупинити інструмент.

Тримерна головка з нейлоновим кордом (мал. 3)

ПОВІДОМЛЕННЯ:

- Не намагайтесь подавати корд з головки під час роботи інструменту з високими обертами. Подавання корду під час роботи з високими обертами може призвести до пошкодження тримерної головки з нейлоновим кордом.
- Подавання нитки не працюватиме належним чином, якщо головка не обертається.

Тримерна головка з нейлоновим кордом є подвійною головою для електротримера з напівавтоматичним подаванням корду.

Для подачі нейлонового корду стукніть тримерною головою об землю, коли тримерна головка обертається.

ПРИМІТКА:

- Якщо нейлоновий корд не подається, коли ви стукаєте головою об землю, перемотайте/замініть нейлоновий корд, виконавши процедуру з розділу "Технічне обслуговування".

Тримач шнура (мал. 4)

Зробіть маленьку петлю із шнура живлення та зафіксуйте її у тримачі шнура.

ЗБИРАННЯ

⚠ ПОПЕРЕДЖЕННЯ:

- Перш ніж проводити будь-які роботи із інструментом, завжди перевіряйте, щоб інструмент був вимкнений та відключений від розетки. Якщо інструмент не вимкнути та не відключити від розетки, це може призвести до тяжкої травми через випадковий запуск.
- Ніколи не запускайте інструмент, поки не зібраний його повністю. Робота із частково зібраним інструментом може призвести до тяжкої травми через випадковий запуск.

Встановлення ручки (мал. 5)

⚠ ПОПЕРЕДЖЕННЯ:

- Не знімайте та не зменшуйте розширювач. Розширювач забезпечує певну відстань між обома руками. Встановлення вузла ручка/бар'єр близько до іншої ручки на відстані меншій за довжину розширювача може призвести до втрати контролю та тяжкої травми.

Встановіть ручку та бар'єр на гумову частину на трубі. Відрегулюйте положення ручки та зафіксуйте за допомогою чотирьох болтів.

Встановлення захисту (мал. 6)

⚠ ПОПЕРЕДЖЕННЯ:

- Ніколи не використовуйте інструмент без захисту, встановленого як показано на малюнку. Недотримання цієї вимоги може призвести до тяжкої травми.

⚠ УВАГА:

- Будьте обережні, щоб не травмуватися ножом для обрізання нейлонового корду.

1. Встановіть на трубу захист.
2. Вирівняйте отвір захисту відносно паза на металевій частині труби.
3. Закріпіть за допомогою болта.

Встановлення тримерної головки з нейлоновим кордом (мал. 7)

ПОВІДОМЛЕННЯ:

- Обов'язково використовуйте оригінальну тримерну головку з нейлоновим кордом.

ПРИМІТКА:

- Перш ніж користуватися інструментом, зніміть з кордового ножа кришку.

Переверніть інструмент, щоб можна було легко замінити тримерну головку з нейлоновим кордом.

1. Встановіть ковпачок на вісь.
2. Просмикніть нейлоновий корд через вушка, щоб він виходив із ковпачка.
3. Встановіть котушку на вісь.
4. Вставте котушку у ковпачок.

5. Візьміть ковпачок та катушку, і зафіксуйте стопорним гвинтом, обертаючи його за годинниковою стрілкою.

Щоб зняти тримерну головку з нейлоновим кордом, обертайте стопорний гвинт проти годинникової стрілки, одночасно утримуючи ковпачок.

ЕКСПЛУАТАЦІЯ

Правильне застосування інструменту

Правильна стійка (мал. 8)

⚠ ПОПЕРЕДЖЕННЯ:

- Завжди тримайте інструмент праворуч від тіла, щоб бар'єр завжди знаходився перед вами. Правильне розташування інструменту забезпечує максимальний контроль та зменшує ризик отримання тяжкої травми.

⚠ УВАГА:

- Якщо під час роботи тримерна головка з нейлоновим кордом випадково вдариться об камінь або твердий предмет, зупиніть інструмент та огляньте на наявність пошкоджень. Якщо тримерну головку з нейлоновим кордом пошкоджено, негайно замініть її. Використання пошкодженої тримерної головки з нейлоновим кордом може призвести до тяжкої травми.

Надягніть плечовий ремінь на ліве плече, просунувши через нього голову та праву руку, та тримайте інструмент праворуч так, щоб бар'єр завжди знаходився перед вами.

Кріплення плечового ременя (мал. 9)

Відрегулюйте довжину ременя таким чином, щоб різальний інструмент був паралельним землі. З'єднайте підвіс та ремінь.

⚠ ПОПЕРЕДЖЕННЯ:

- Будьте надзвичайно обережні, щоб завжди контролювати інструмент. Не дозволяйте інструменту відхилятися до вас або іншої людини, що знаходиться поряд. Неналежний контроль за інструментом може призвести до тяжкого травмування сторонньої людини та оператора.

Регулювання положення підвісу та плечового ременя (мал. 10)

Щоб змінити положення підвісу, розкрутіть болт підвісу. Потім перемістіть підвіс. Після регулювання положення підвісу закрутіть болт.

ТЕХНІЧНЕ ОБСЛУГОВУВАННЯ

⚠ ПОПЕРЕДЖЕННЯ:

- Перш ніж оглядати або здійснювати технічне обслуговування інструменту, завжди перевіряйте, щоб інструмент був вимкнений та відключений від розетки. Якщо інструмент не вимкнути та не відключити від розетки, це може призвести до тяжкої травми через випадковий запуск.

ПОВІДОМЛЕННЯ:

- Ніколи не використовуйте пальне, бензин, розчинник, спирт або щось подібне. Це може призвести до знебарвлення, деформації або розтріскування.

Заміна нейлонового корду (мал. 11)

⚠ ПОПЕРЕДЖЕННЯ:

- Перш ніж починати роботу, переконайтесь, що тримерна головка з нейлоновим кордом надійно закріплена на інструменті. Неправильне закріплення тримерної головки з нейлоновим кордом може призвести до того, що вона розлетиться та заподіє тяжкі травми.

1. Зніміть стопорний гвинт, обертаючи його проти годинникової стрілки.
2. Зніміть катушку та ковпачок. Та зніміть з катушки старий нейлоновий корд.
3. Відріжте нейлоновий корд довжиною 3 – 6 м. Складіть тримерний корд удвічі так, щоб одна половина була довшою на 80 – 100 мм. (мал. 12)
4. Зачепіть середину нового нейлонового корда за паз у центрі катушки між двома каналами, призначеними для нейлонового корда. (мал. 13)
5. Міцно намотайте обидва кінці на канали у напрямку, позначеному стрілкою на катушці.
6. Встановіть тримерну головку з нейлоновим кордом як описано у даному керівництві. (мал. 14)

Для забезпечення БЕЗПЕКИ та НАДІЙНОСТІ виробу ремонт та будь-які інші роботи із технічного обслуговування або регулювання мають виконуватися в офіційних сервісних центрах Makita, також треба завжди користуватися запасними деталями Makita.

ПОШУК ТА УСУНЕННЯ НЕСПРАВНОСТЕЙ

Перш ніж звертатися за ремонтом, проведіть власний огляд. Якщо ви виявите проблему, не описану у даному керівництві, не намагайтесь розібрати інструмент. Замість цього зверніться до офіційного сервісного центру Makita та завжди використовуйте для ремонту запасні деталі Makita.

Стан несправності	Причина	Рішення
Двигун не працює.	Інструмент не увімкнено в розетку.	Увімкніть інструмент в розетку.
	Шнур живлення поламааний.	Зверніться в офіційний сервісний центр для ремонту.
	Система приводу працює неправильно.	
Двигун зупиняється після нетривалого використання.	Перегрівання.	Припиніть користуватися інструментом, щоб він охолів.
Інструмент не досягає максимальної частоти обертів.	Система приводу працює неправильно.	Зверніться в офіційний сервісний центр для ремонту.
Різальний інструмент не обертається: негайно зупиніть машину!	Між захисним кожухом та тримерною головкою з нейлоновим кордом застряг сторонній предмет, як-от гілка.	Видаліть сторонній предмет.
	Система приводу працює неправильно.	Зверніться в офіційний сервісний центр для ремонту.
Ненормальна вібрація: негайно зупиніть машину!	Один кінець нейлонового корду порвався.	Стукніть тримерною головкою з нейлоновим кордом об землю, коли тримерна головка обертається, щоб подати корд.
	Система приводу працює неправильно.	Зверніться в офіційний сервісний центр для ремонту.
Різальний інструмент та двигун не зупиняються: Негайно вимкніть машину з розетки!	Несправність електричної або електронної системи.	Вимкніть машину з розетки та зверніться в офіційний сервісний центр для ремонту.

ДОДАТКОВІ АКСЕСУАРИ

УВАГА:

- Дані аксесуари або насадки рекомендовані для використання із вашим інструментом Makita, описаним у цьому керівництві. Використання будь-яких інших аксесуарів або насадок може становити ризик отримання травми. Використовуйте аксесуари або насадки лише за призначенням.

Якщо вам потрібна будь-яка допомога в отриманні інформації про дані аксесуари, зверніться до вашого місцевого сервісного центру Makita.

- Тримерна головка з нейлоновим кордом
- Нейлоновий корд (тримерна ліска)
- Плечовий ремінь

ПРИМІТКА:

- Деякі з позицій списку можуть надаватися у комплекті із інструментом як стандартні аксесуари. Вони можуть відрізнятися в залежності від країни.

Makita Jan-Baptist Vinkstraat 2, 3070, Belgium
Makita Corporation Anjo, Aichi, Japan