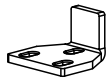




x2



x2



x1



St 4,2x25

x6



M5x6

x4



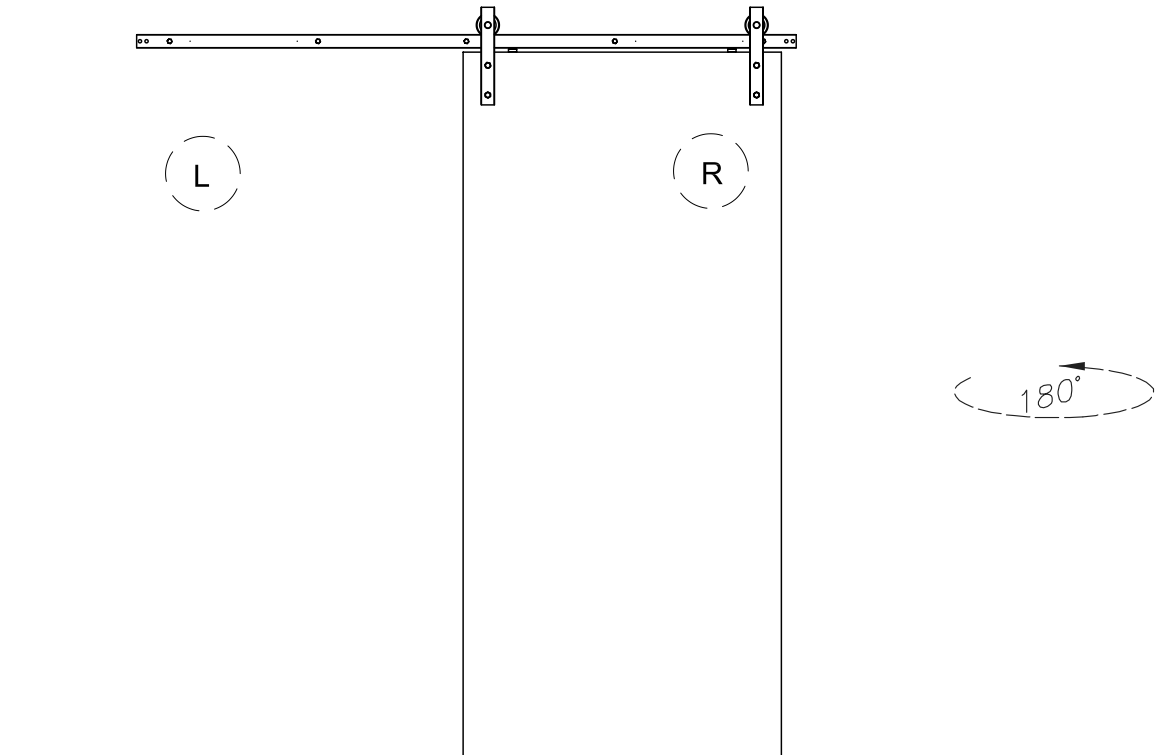
Ø5

x4

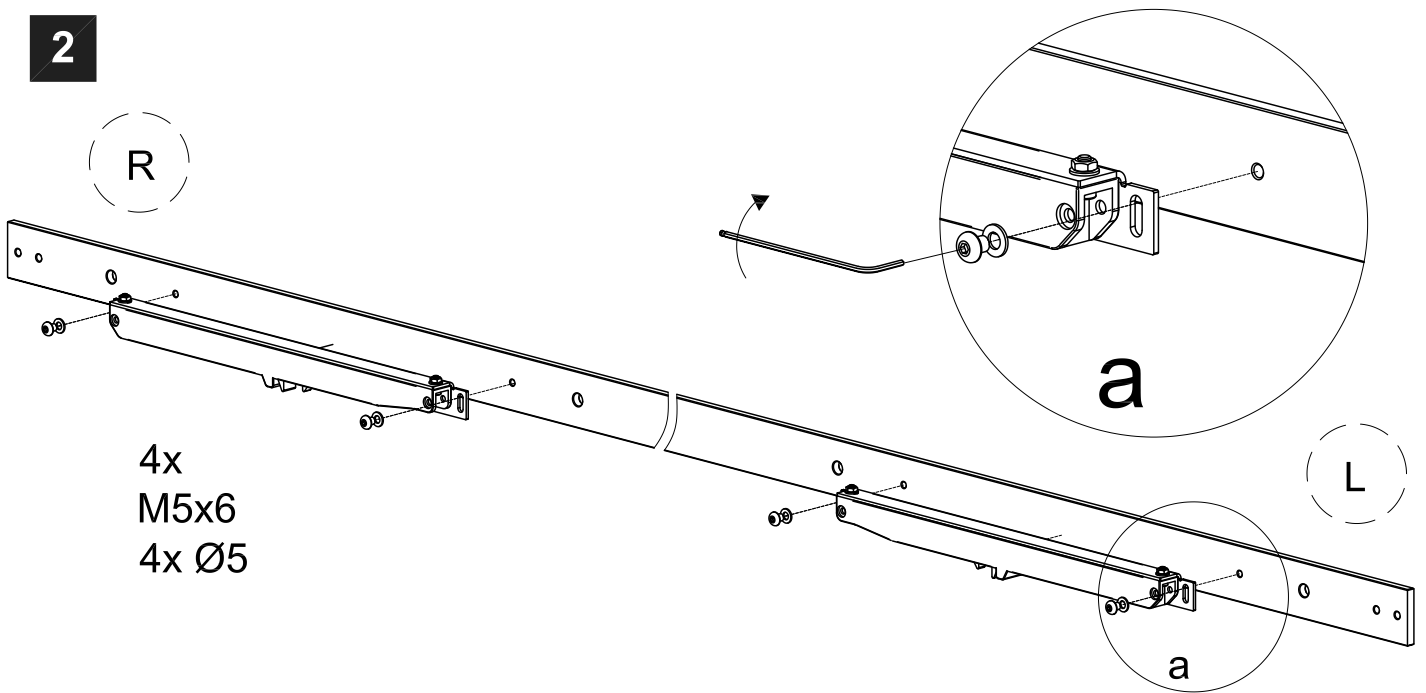


60  
KG

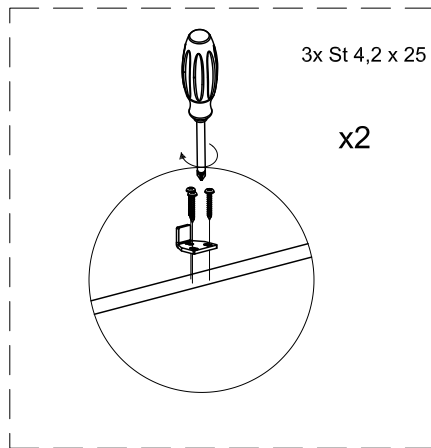
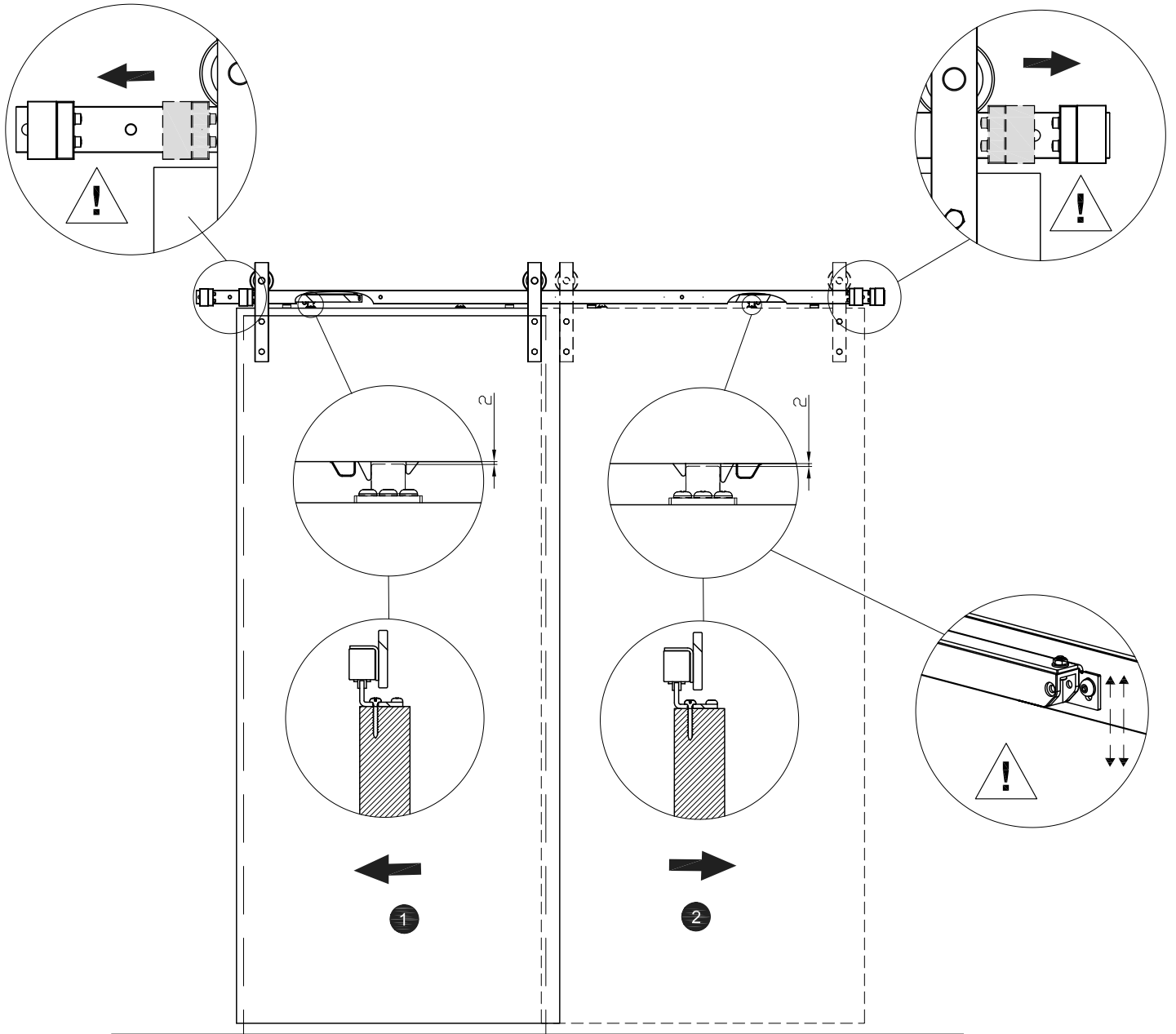
1



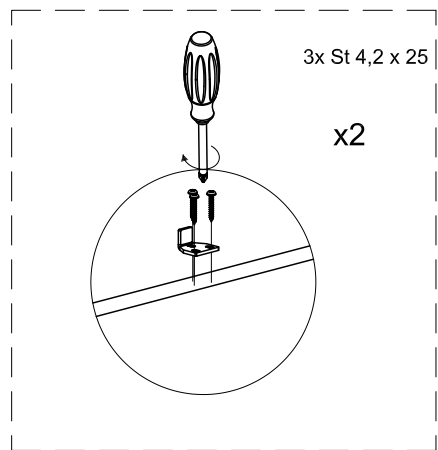
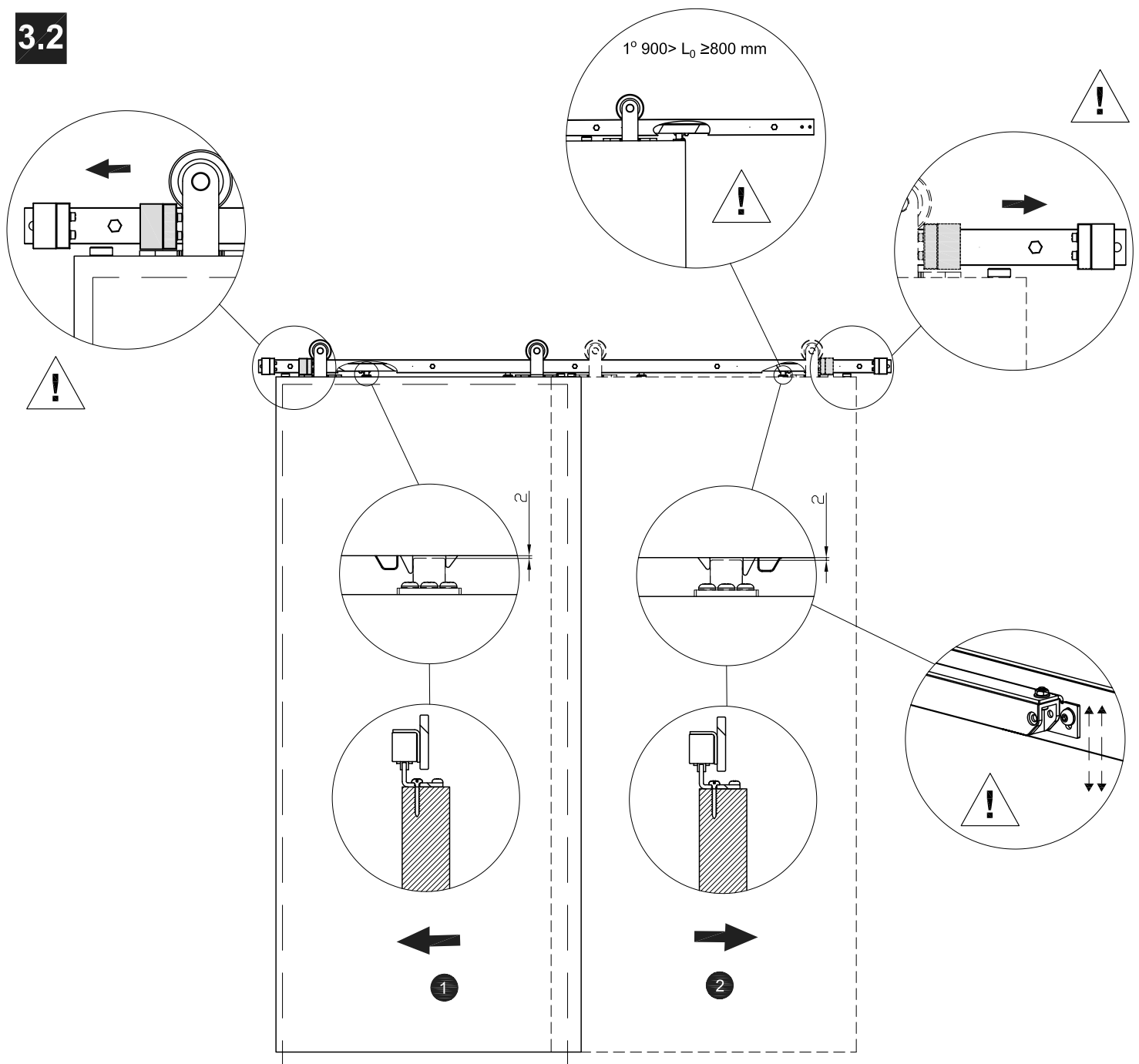
2



3.1



3.2



3.3

