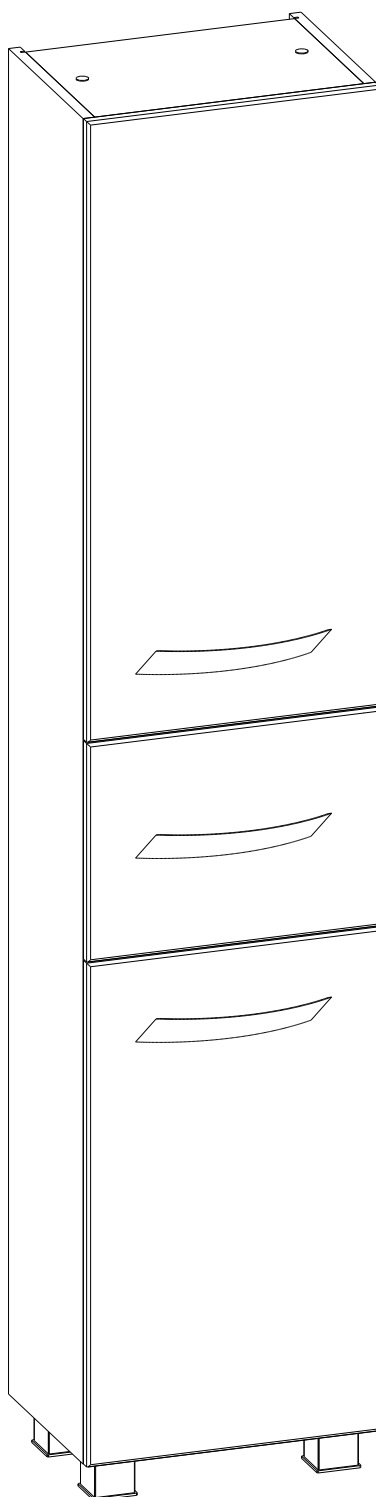
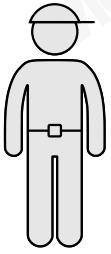


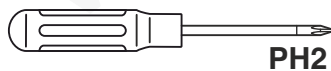
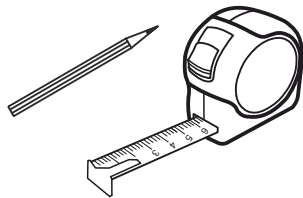
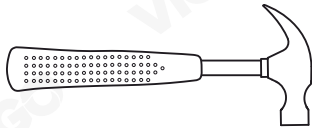
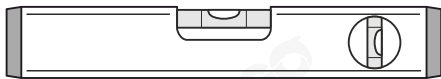
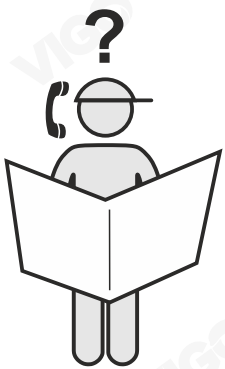
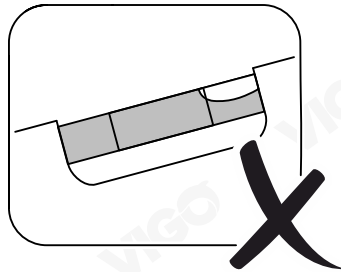
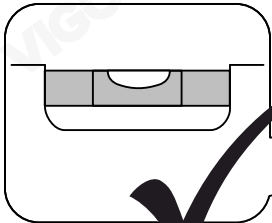
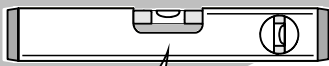
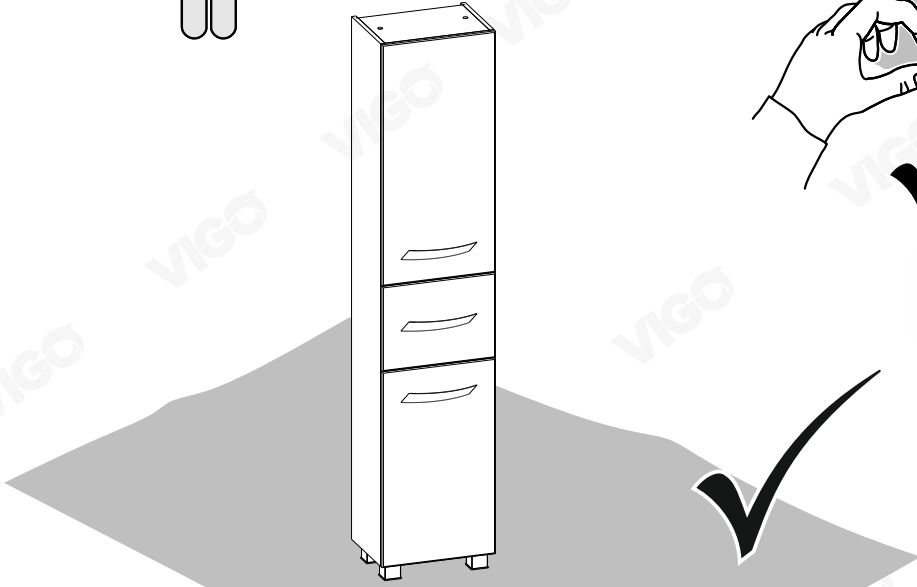
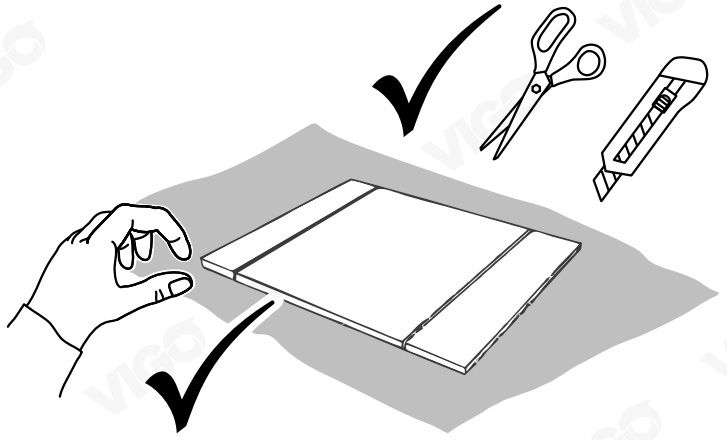
MOSS



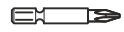
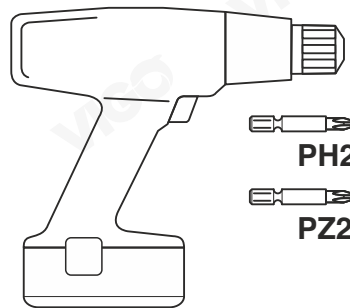
Пенал Moss 40



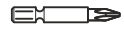
60-90 min



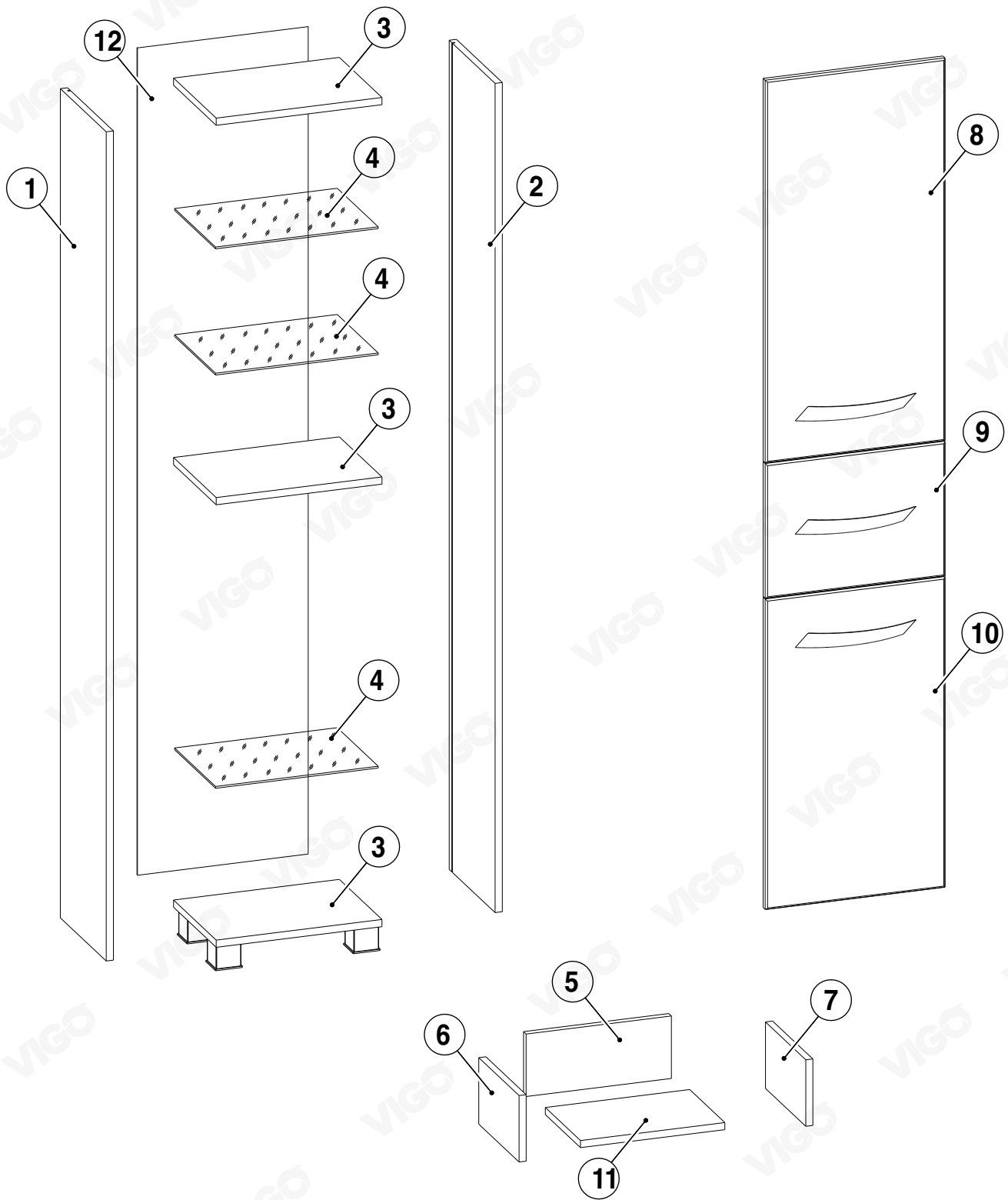
PH2



PH2

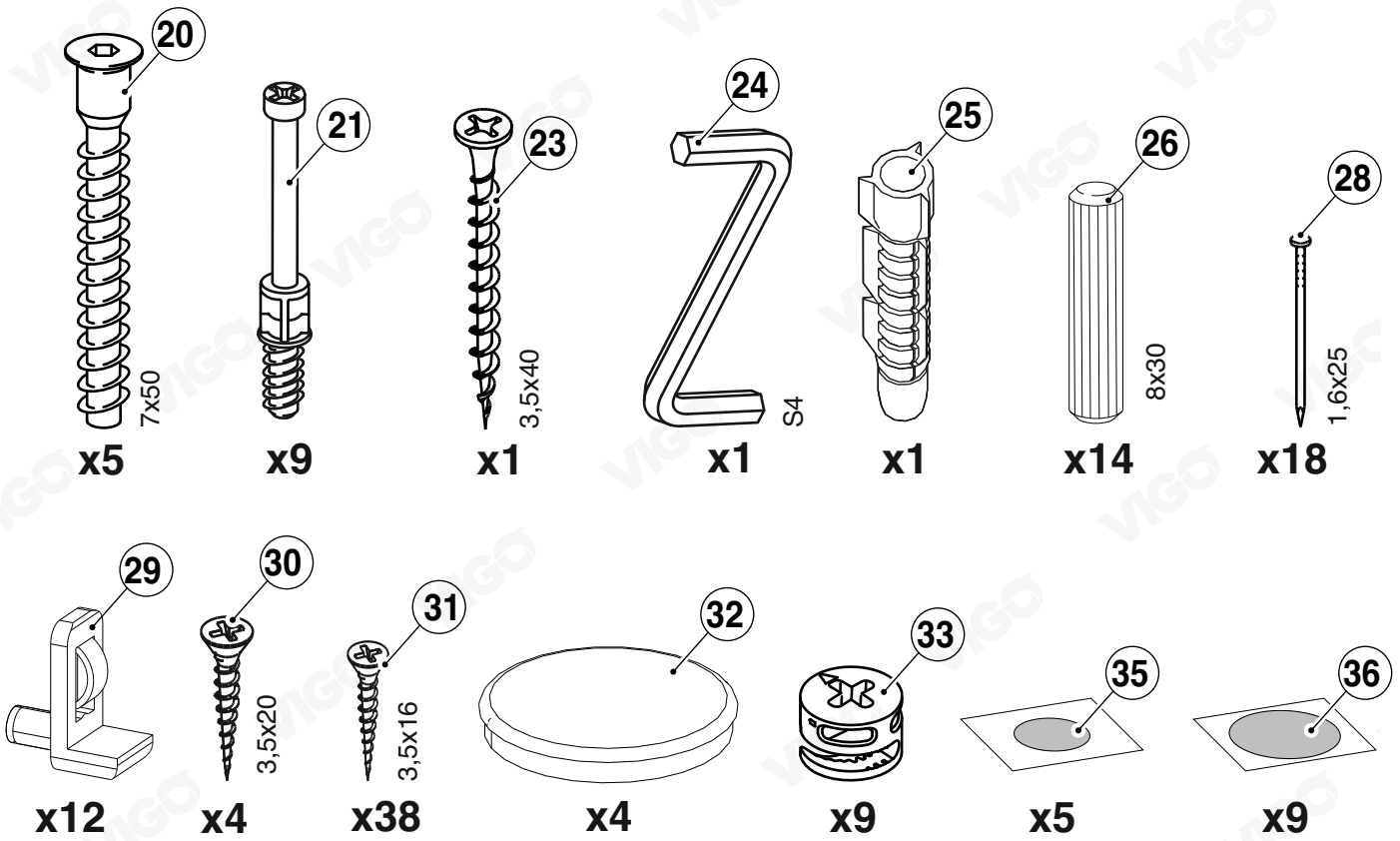


PZ2

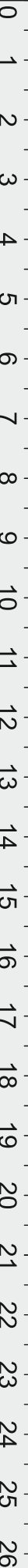
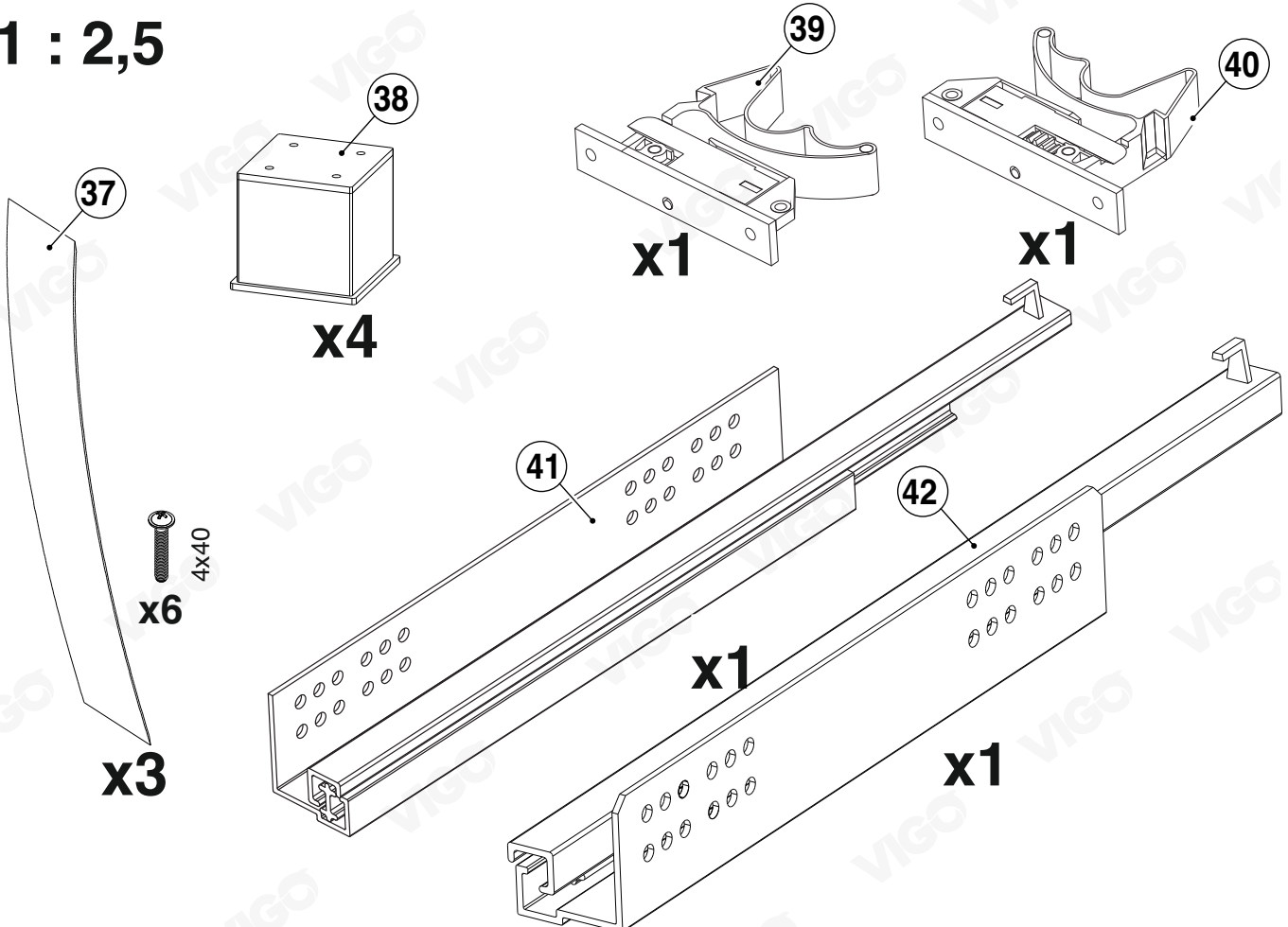


- | | |
|--------------------|-------------------|
| ① 1840x280x16 (x1) | ⑦ 250x150x16 (x1) |
| ② 1840x280x16 (x1) | ⑧ 849x399x16 (x1) |
| ③ 368x259x16 (x3) | ⑨ 299x399x16 (x1) |
| ④ 361x250x6 (x3) | ⑩ 689x399x16 (x1) |
| ⑤ 328x134x16 (x1) | ⑪ 328x232x16 (x1) |
| ⑥ 250x150x16 (x1) | ⑫ 1832x378x3 (x1) |

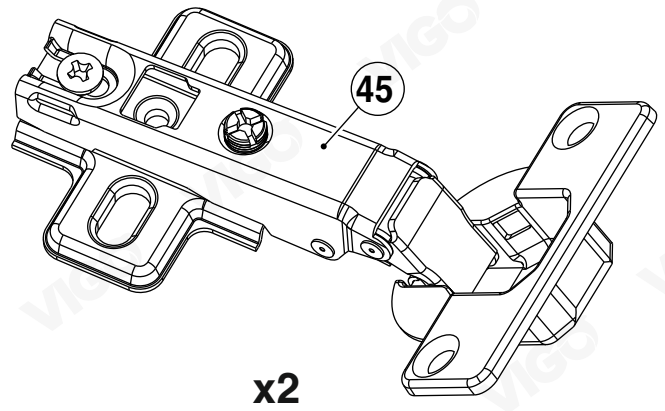
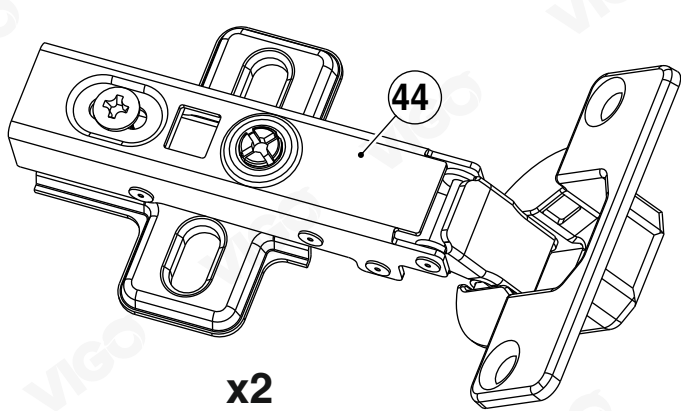
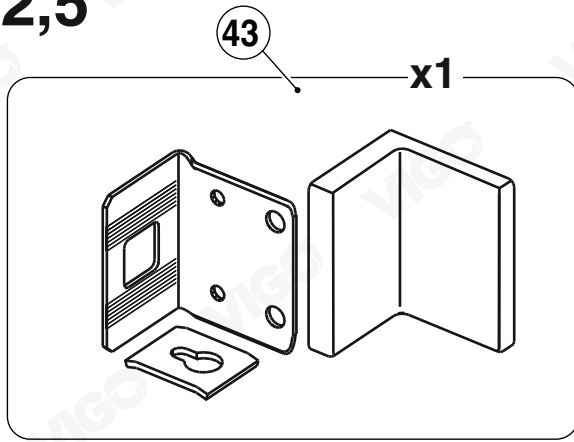
1 : 1



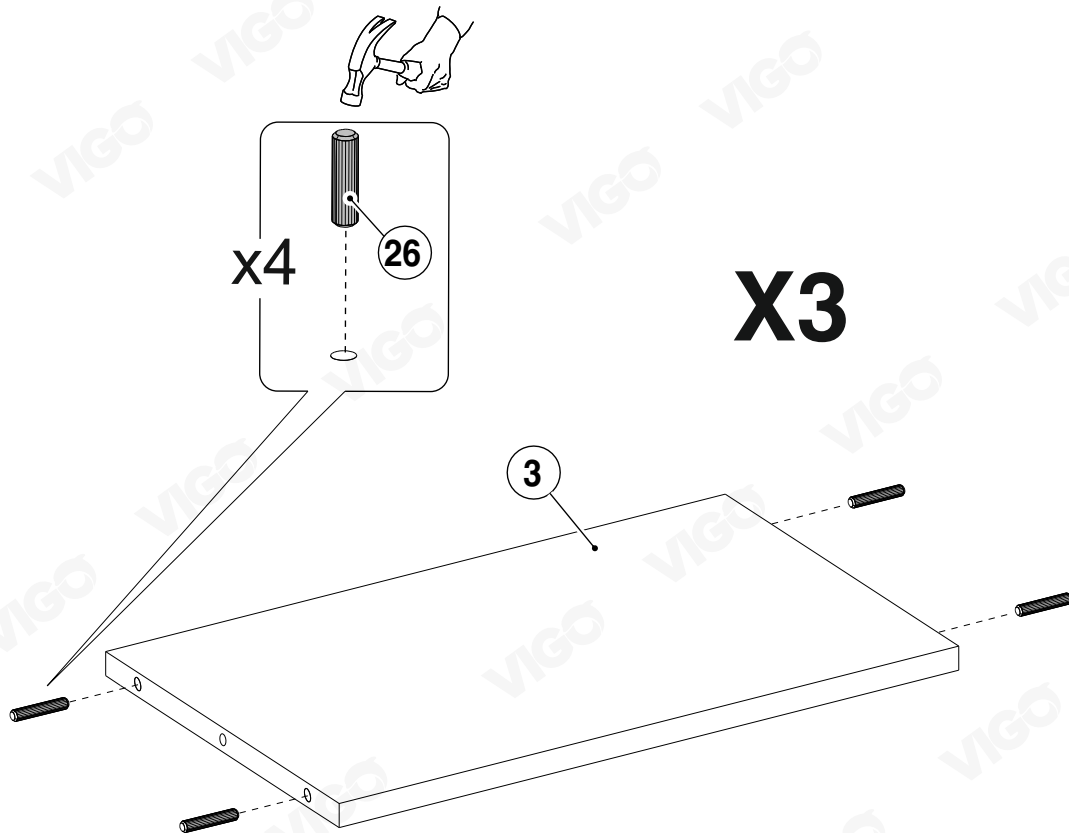
1 : 2,5



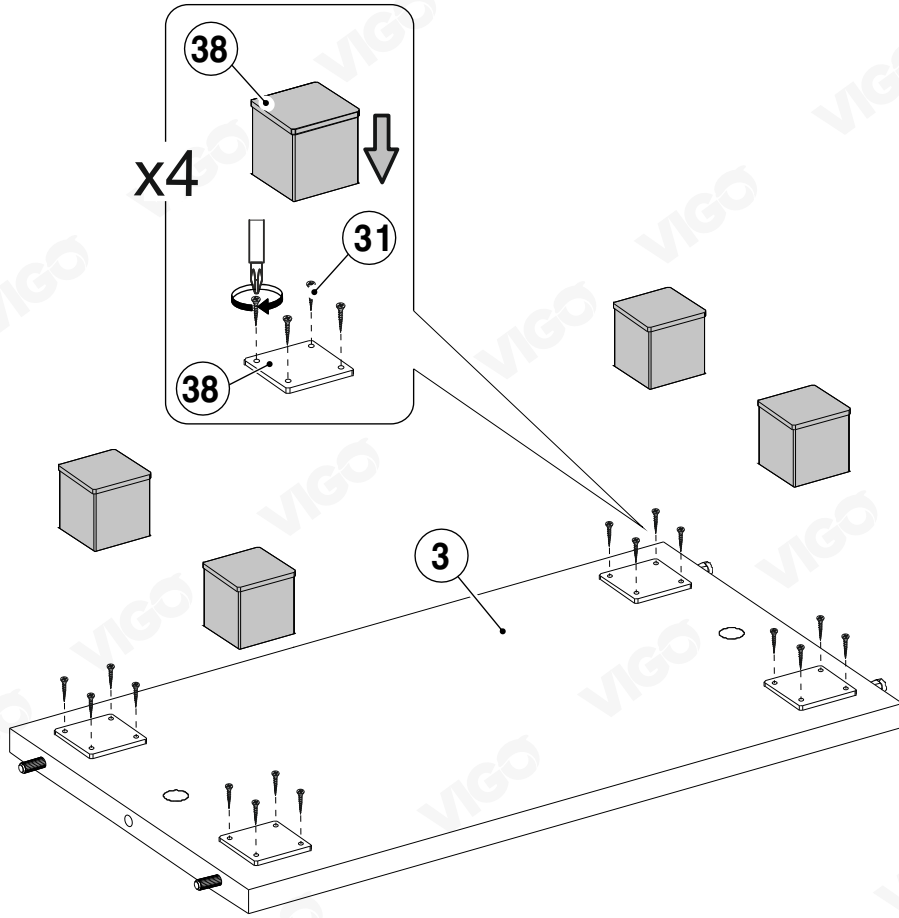
1 : 2,5



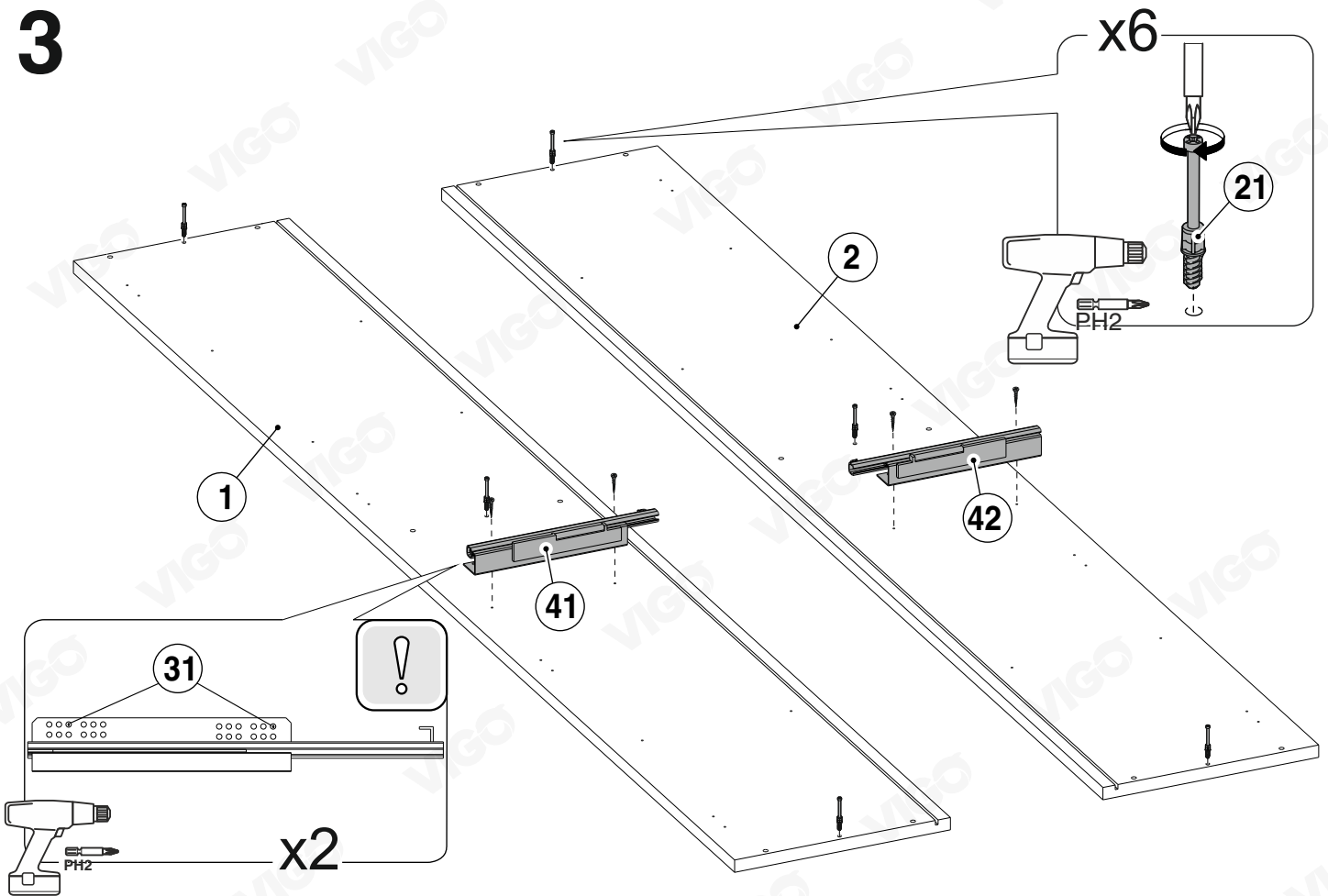
1



2

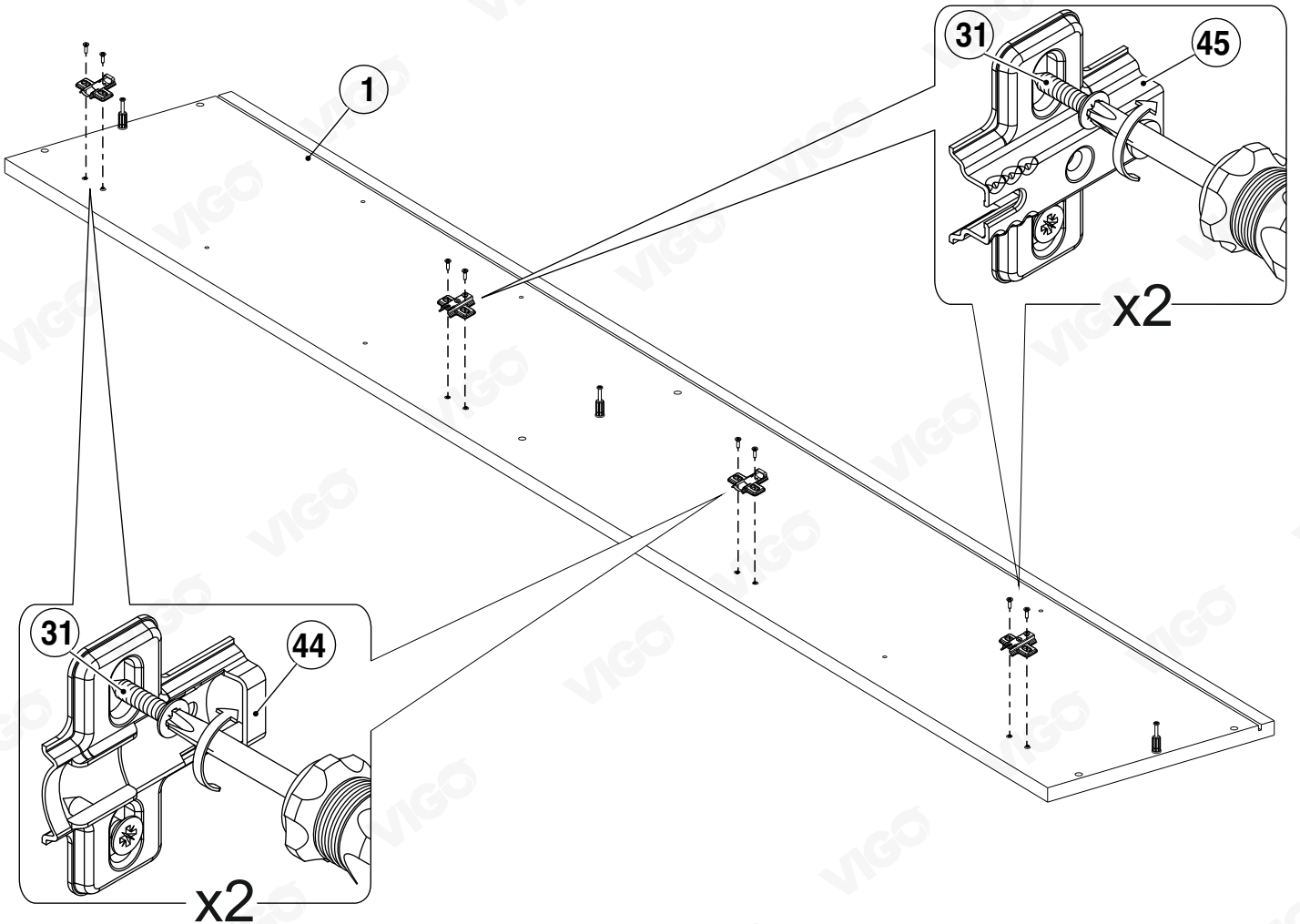
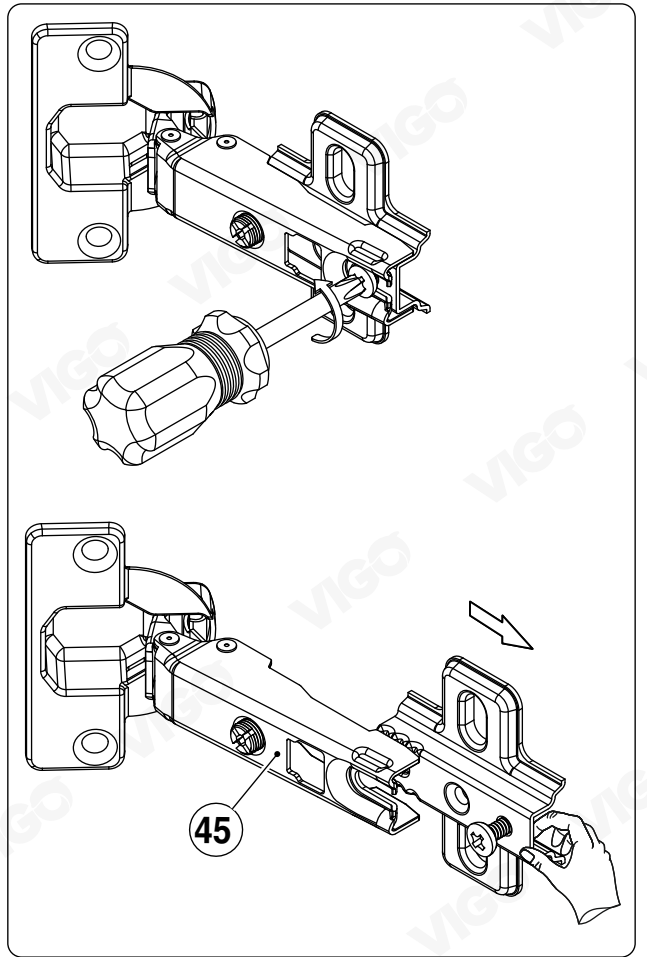
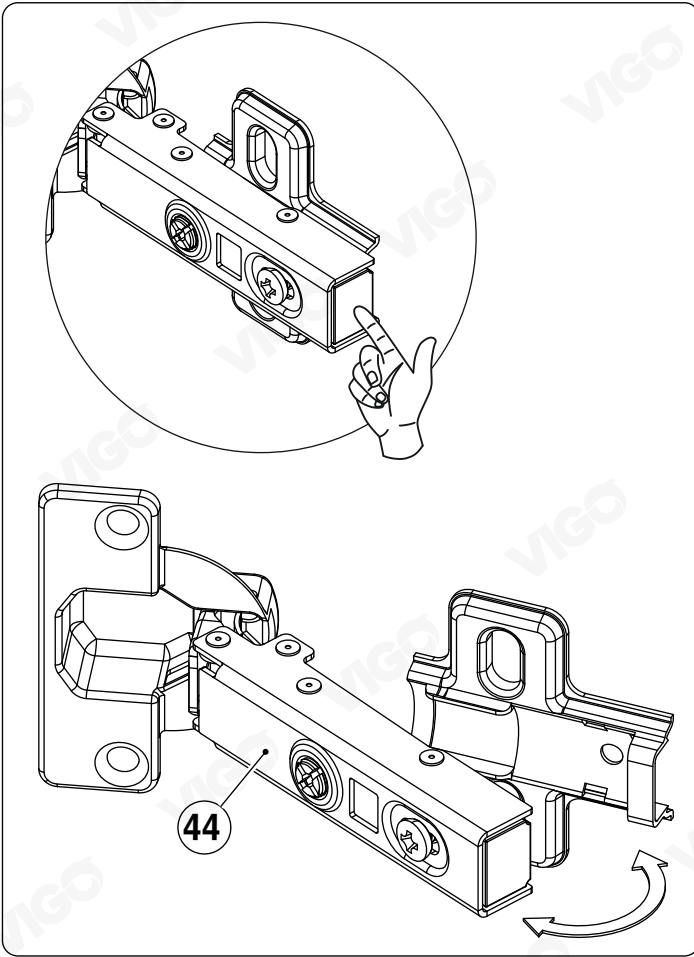


3

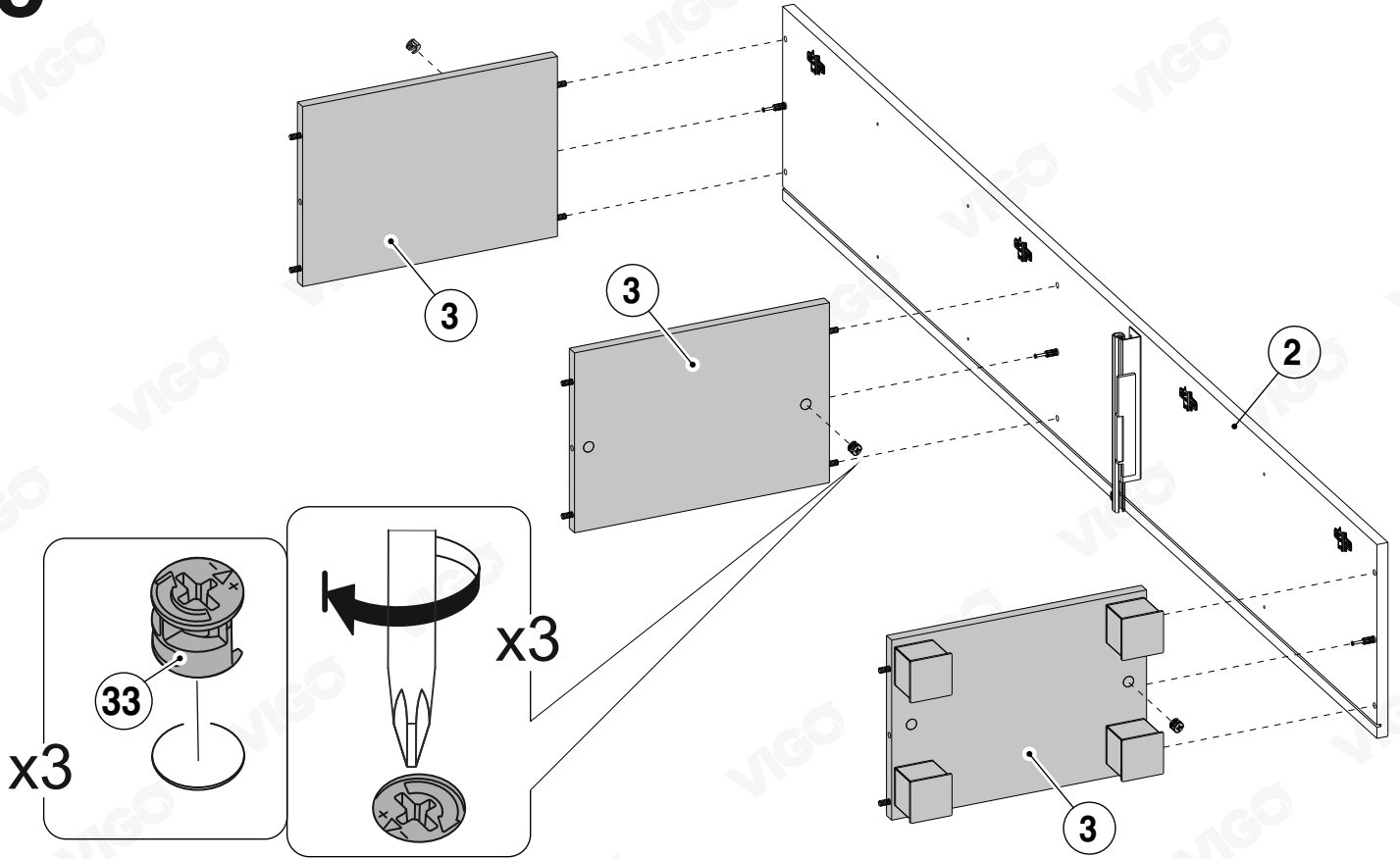


6

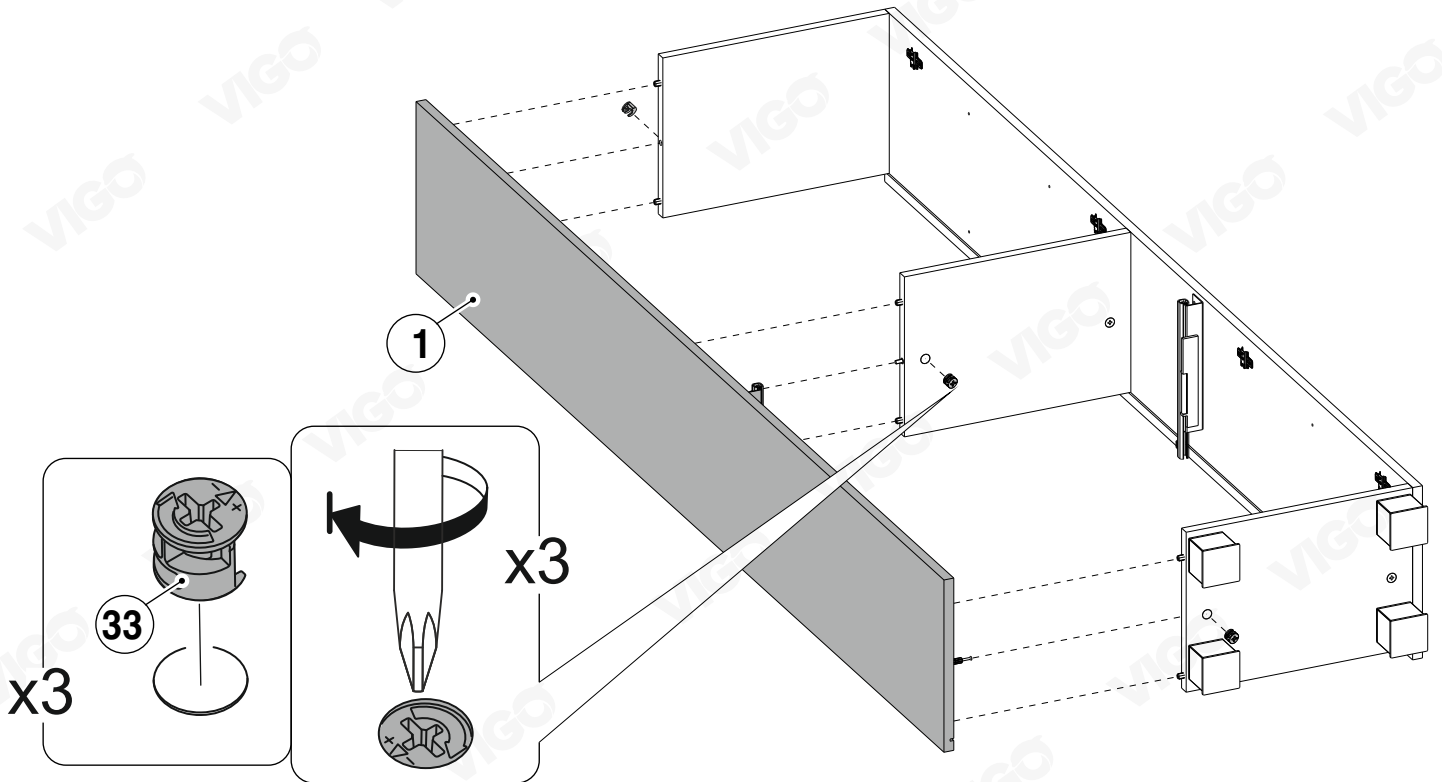
4



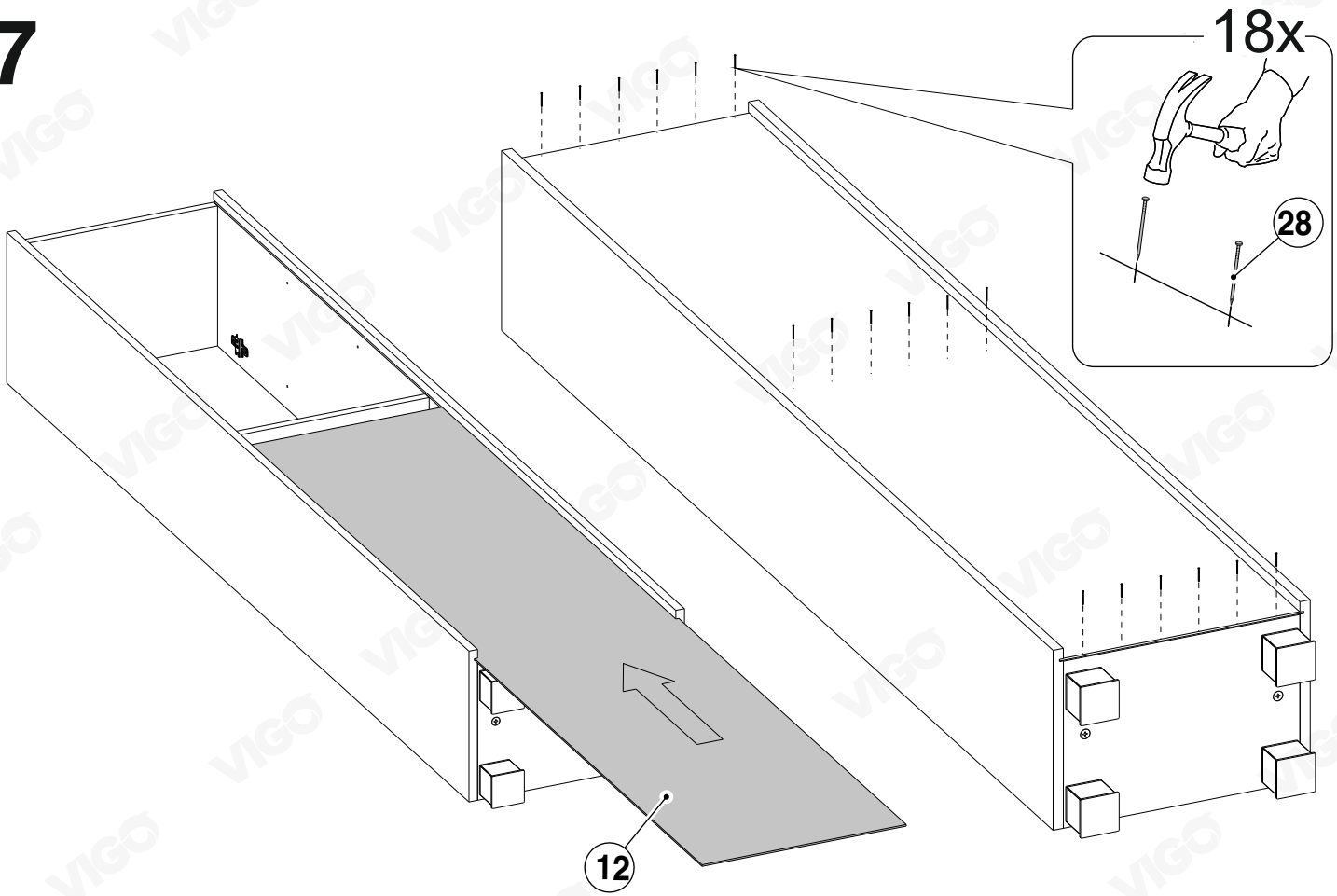
5



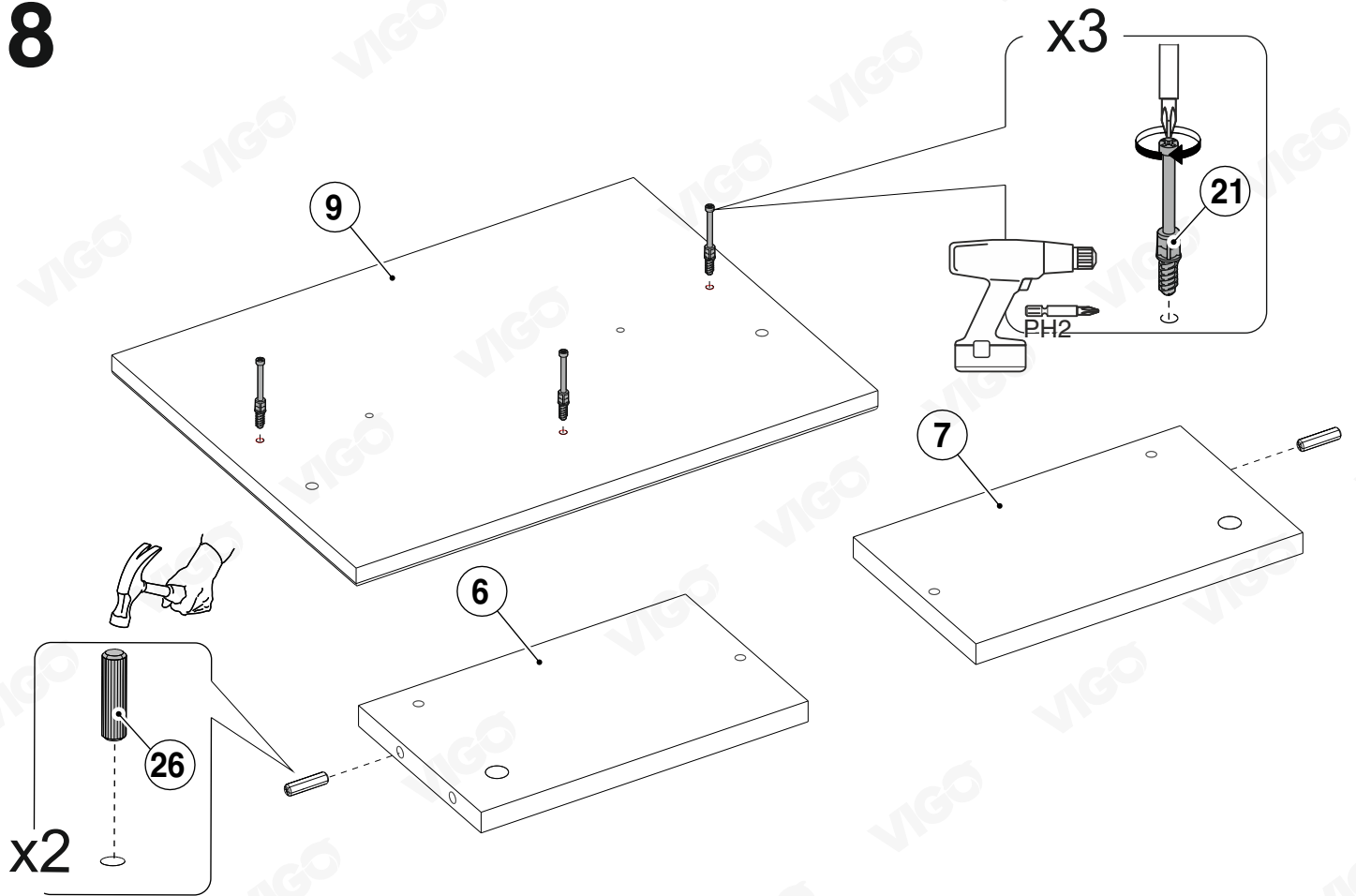
6



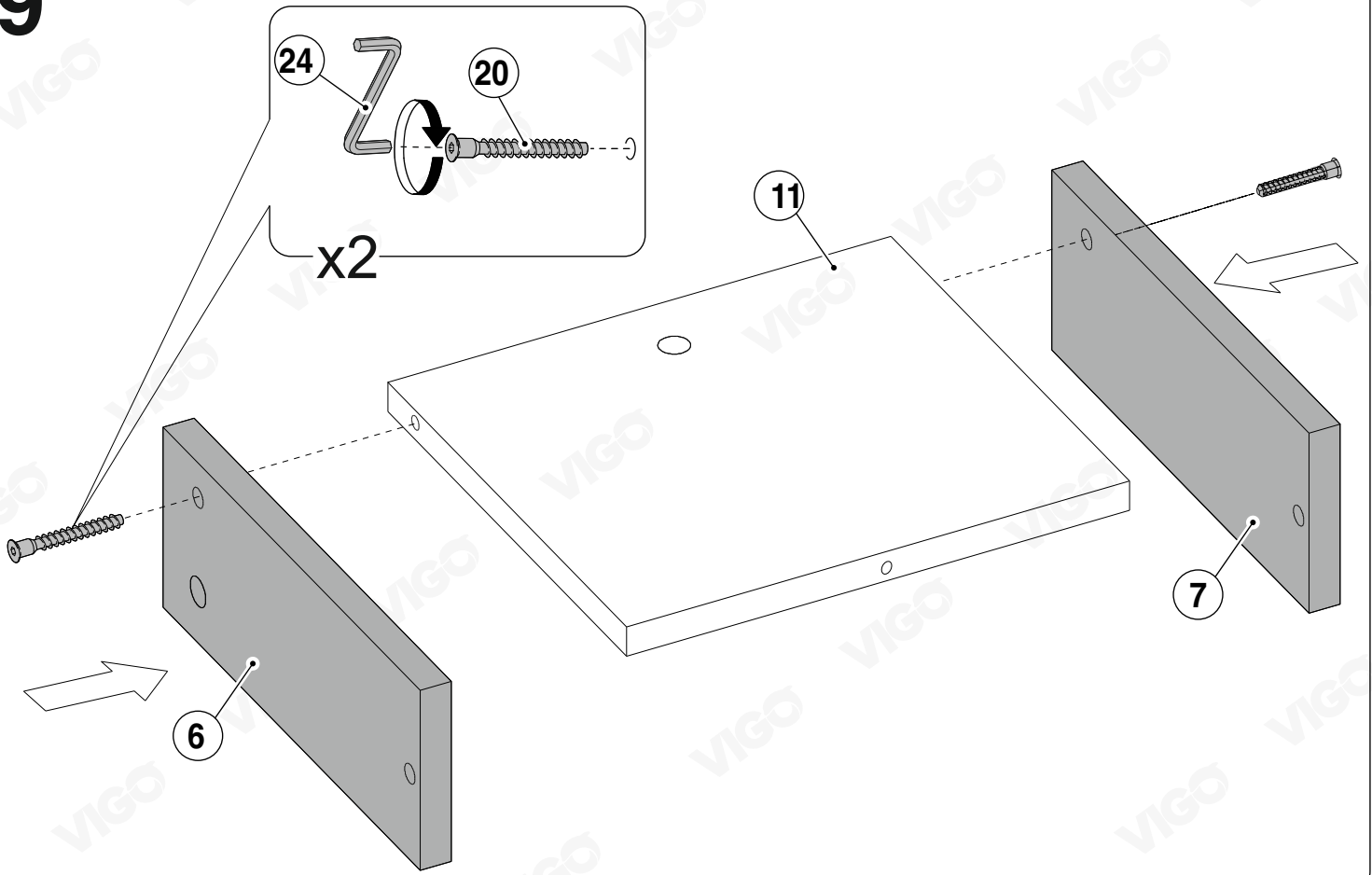
7



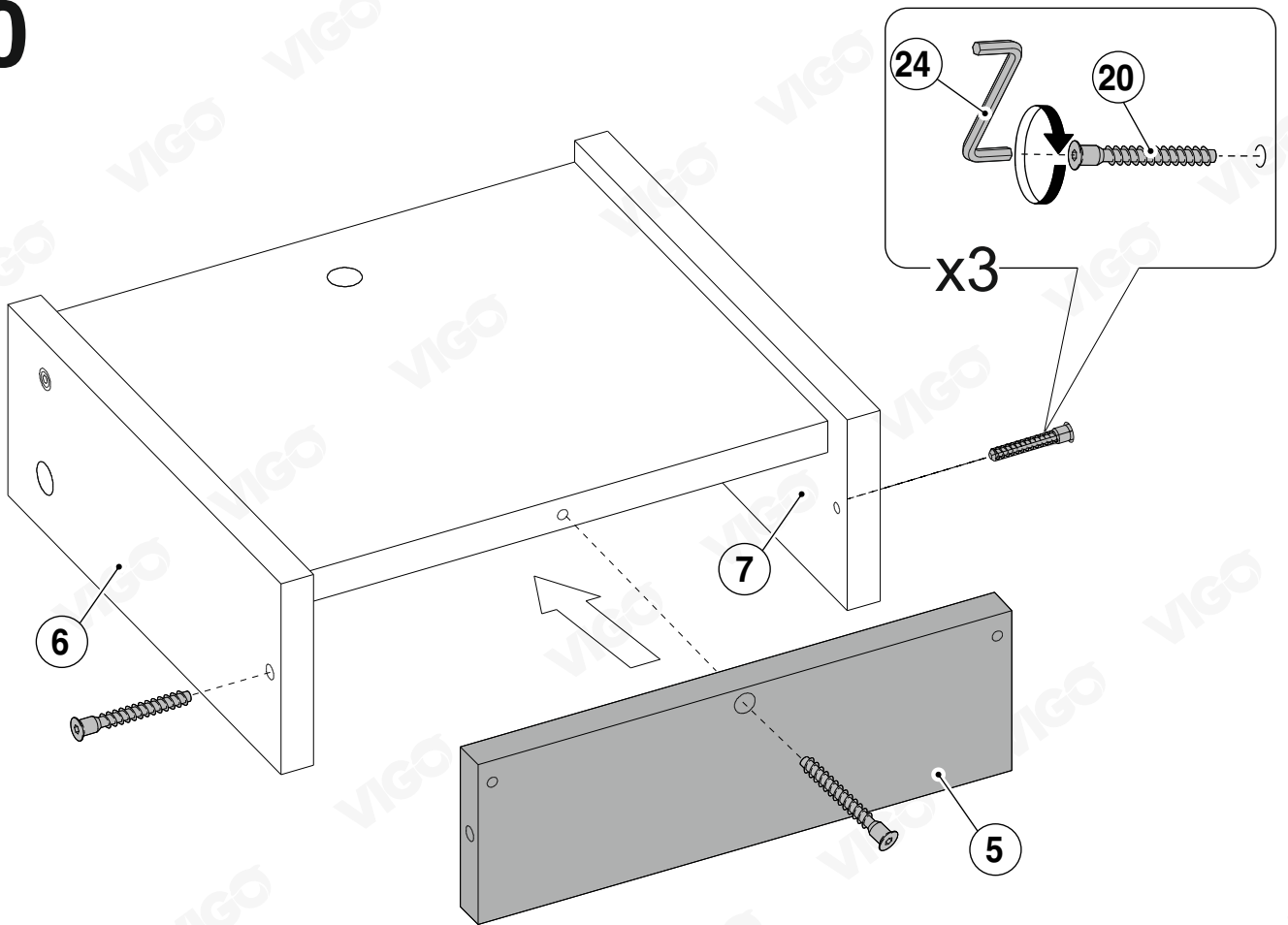
8



9

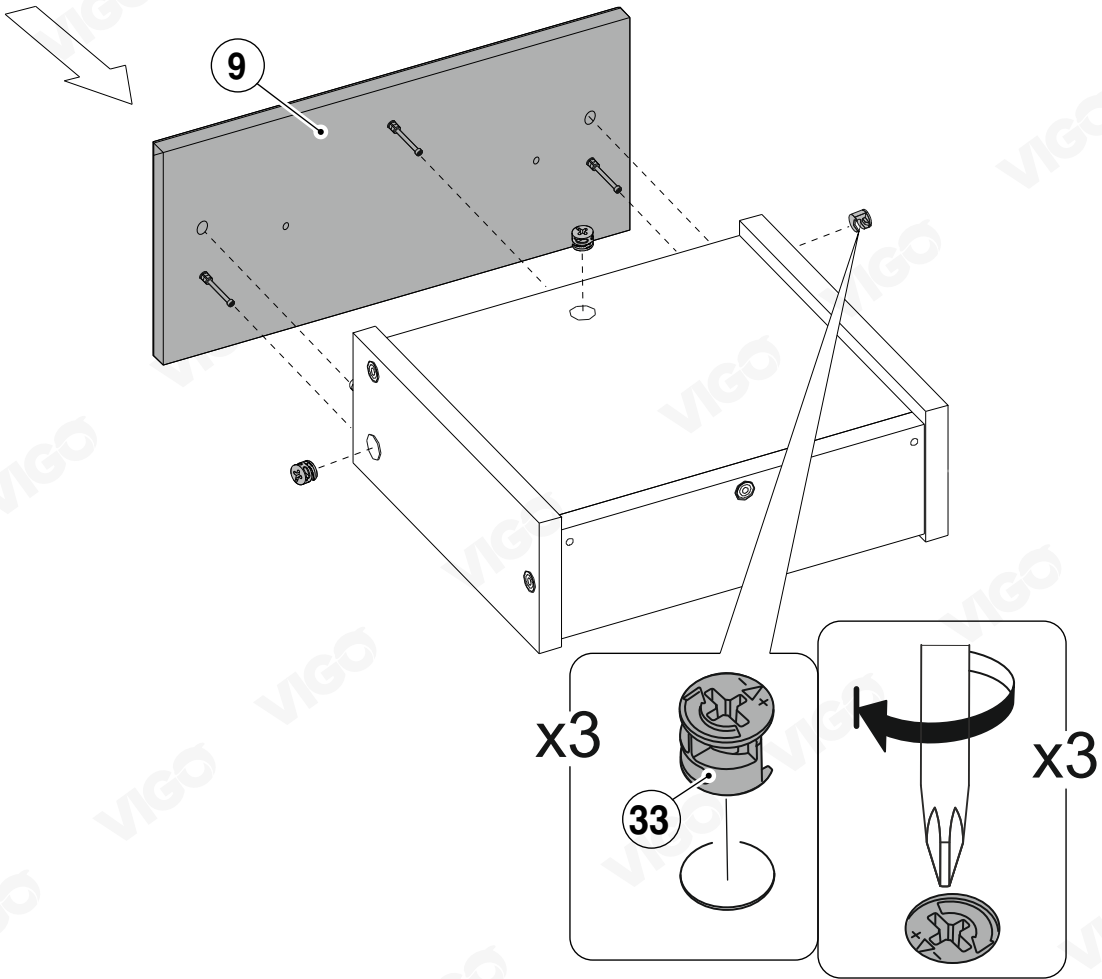


10

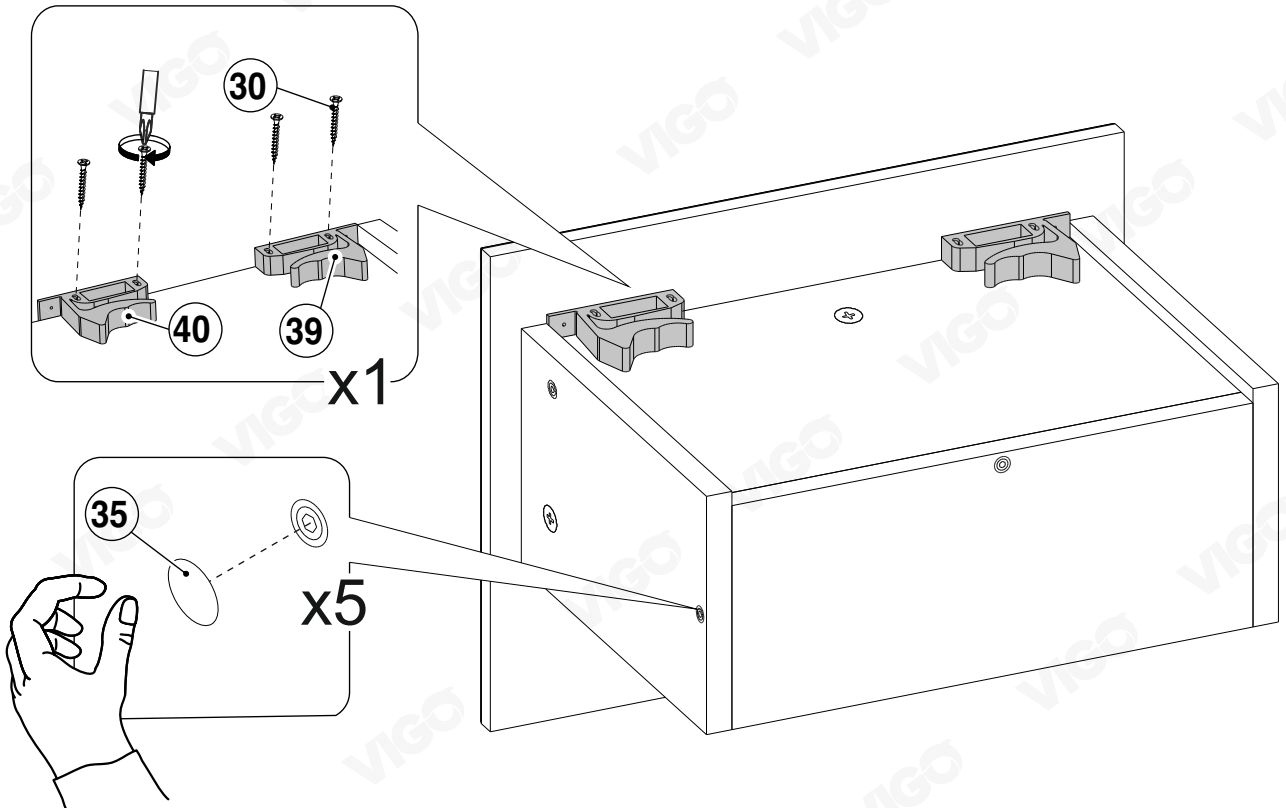


10

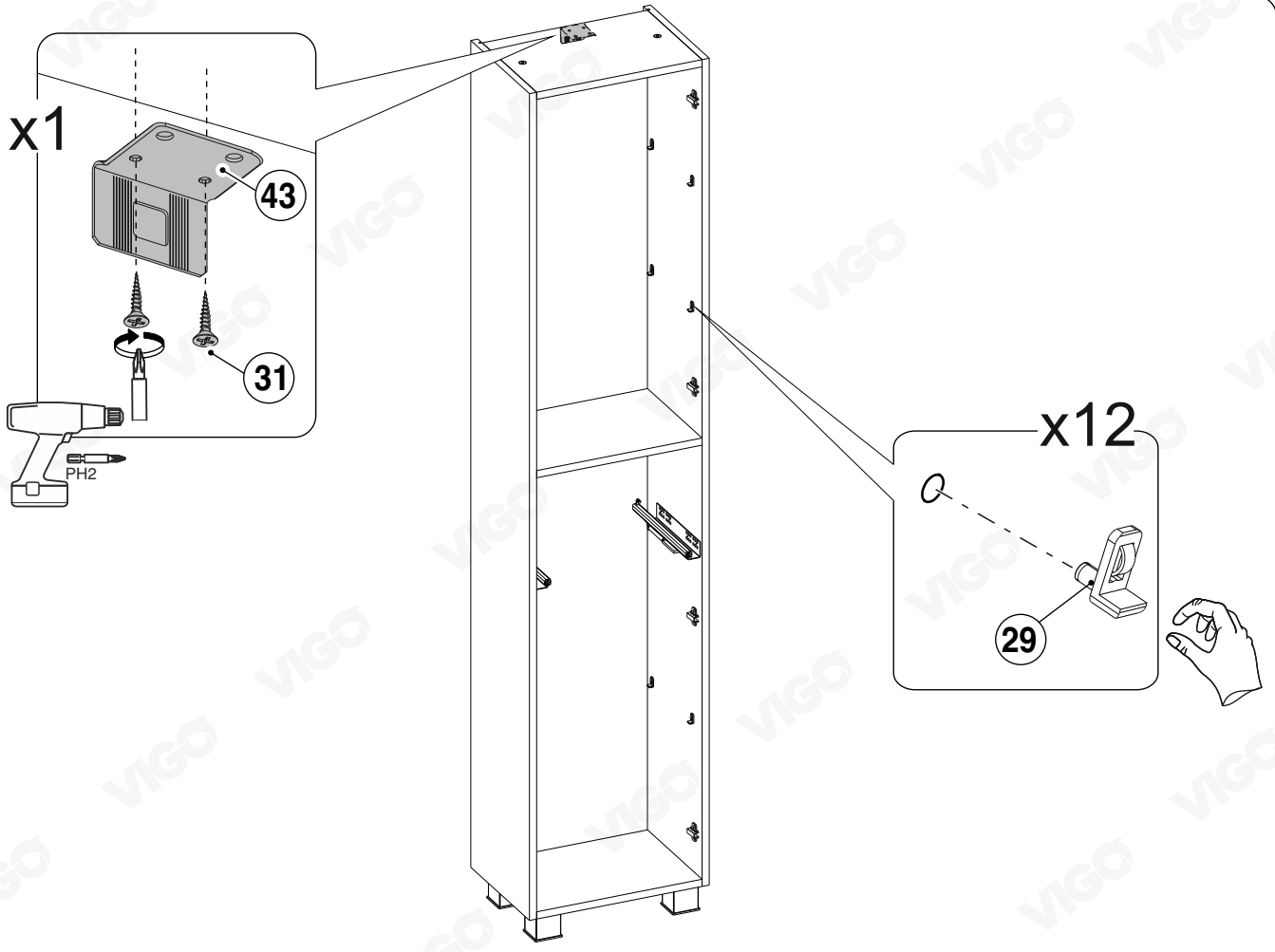
11



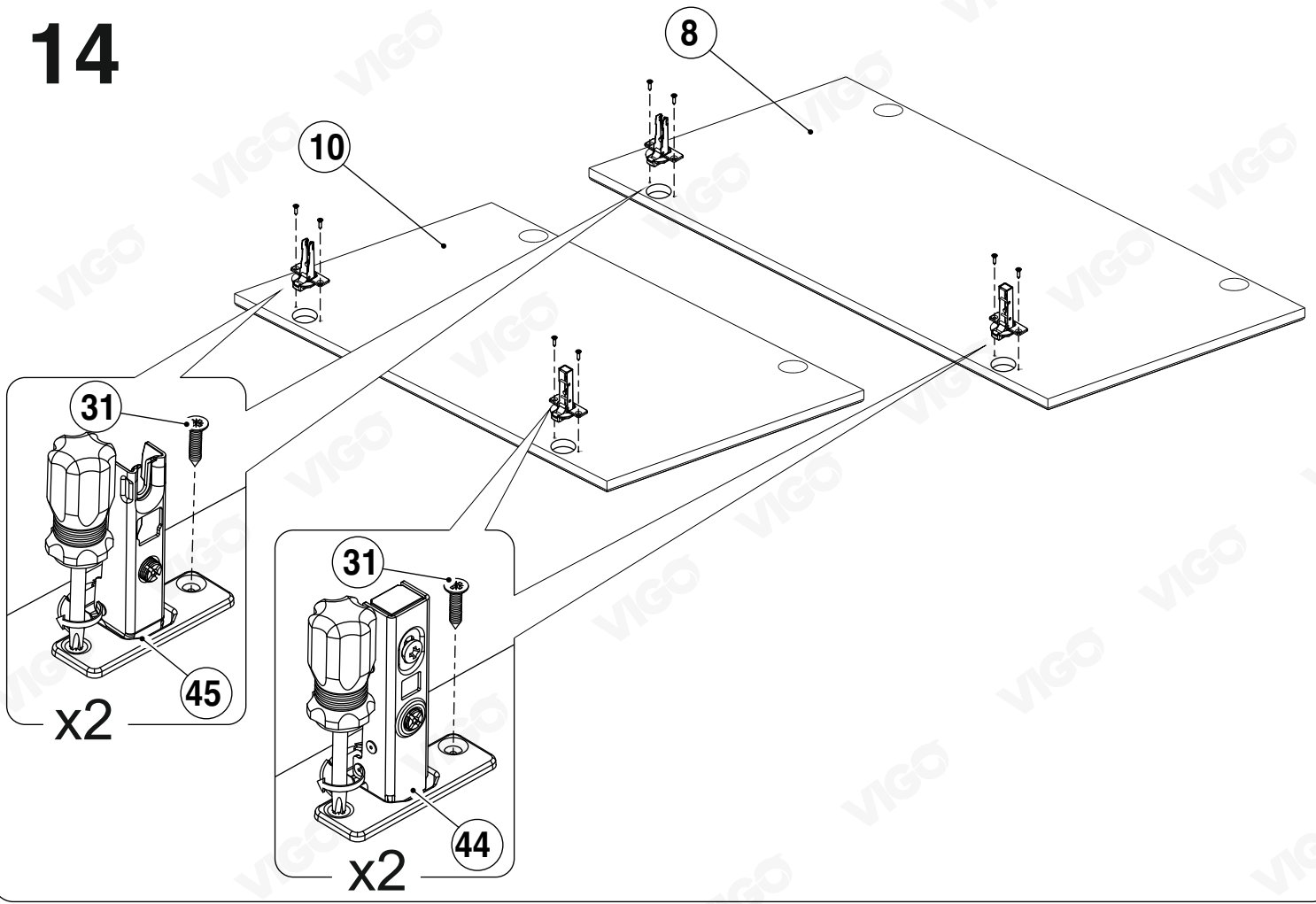
12



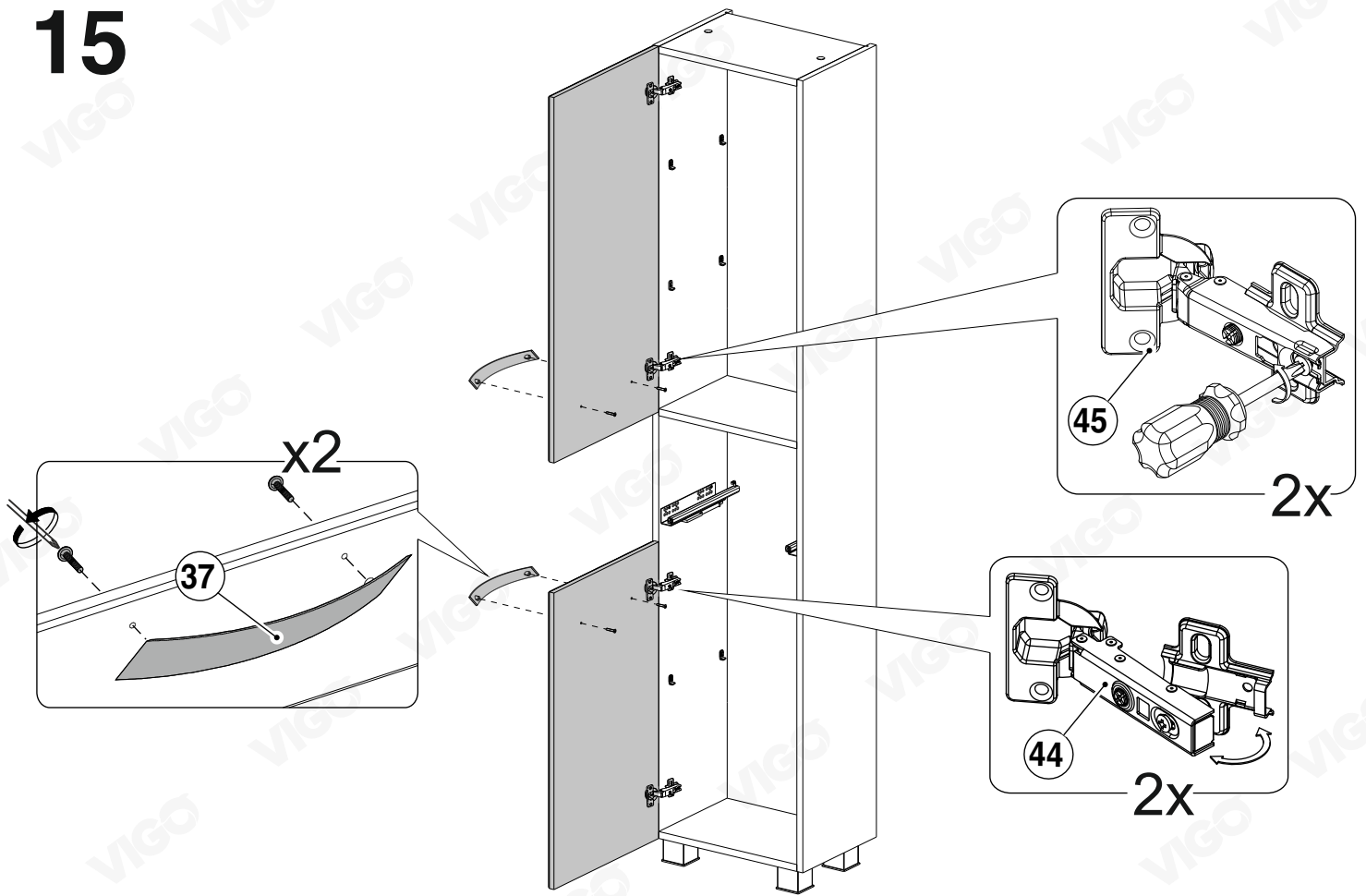
13



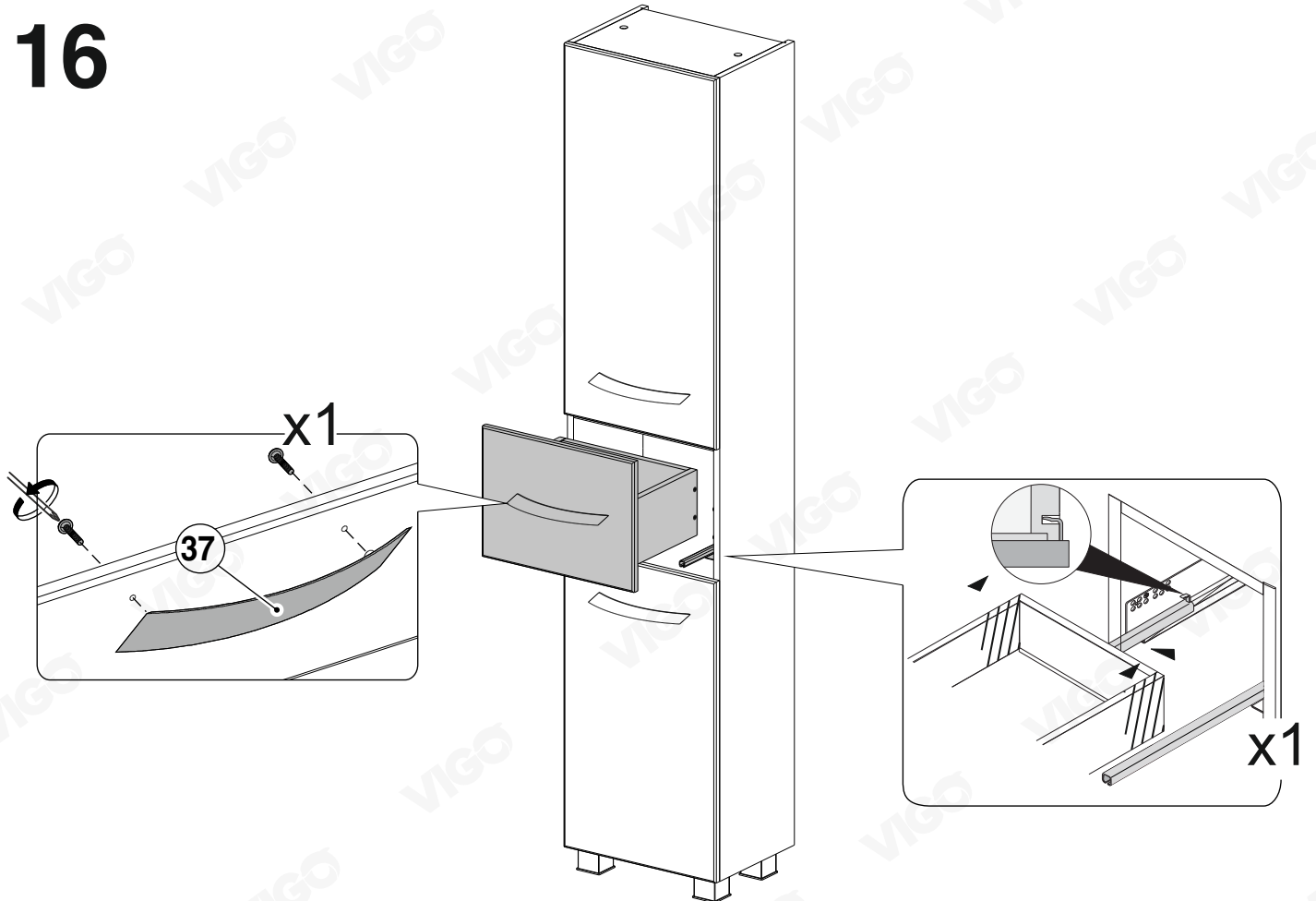
14



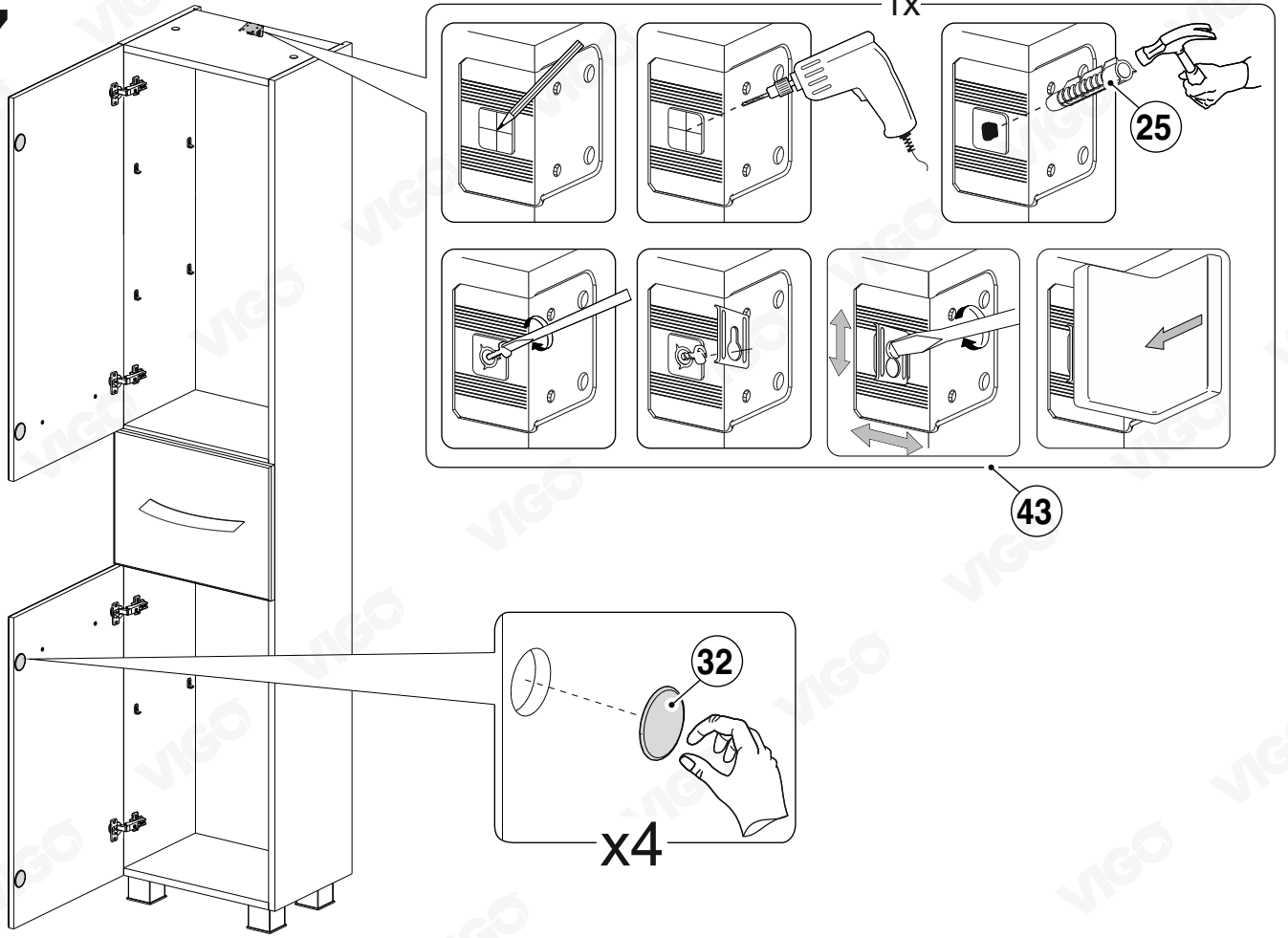
15



16



17



18

